

SYRIUS®
SYRIUS

TH
PISZTOLYOK

UNICUT®

Single-use cartridges PLUG and CUT

FLATCUT®

with 45 degree inclined arc for cutting Flat

IRONCUT®

New high visibility consumable system
to cut inaccessible parts.

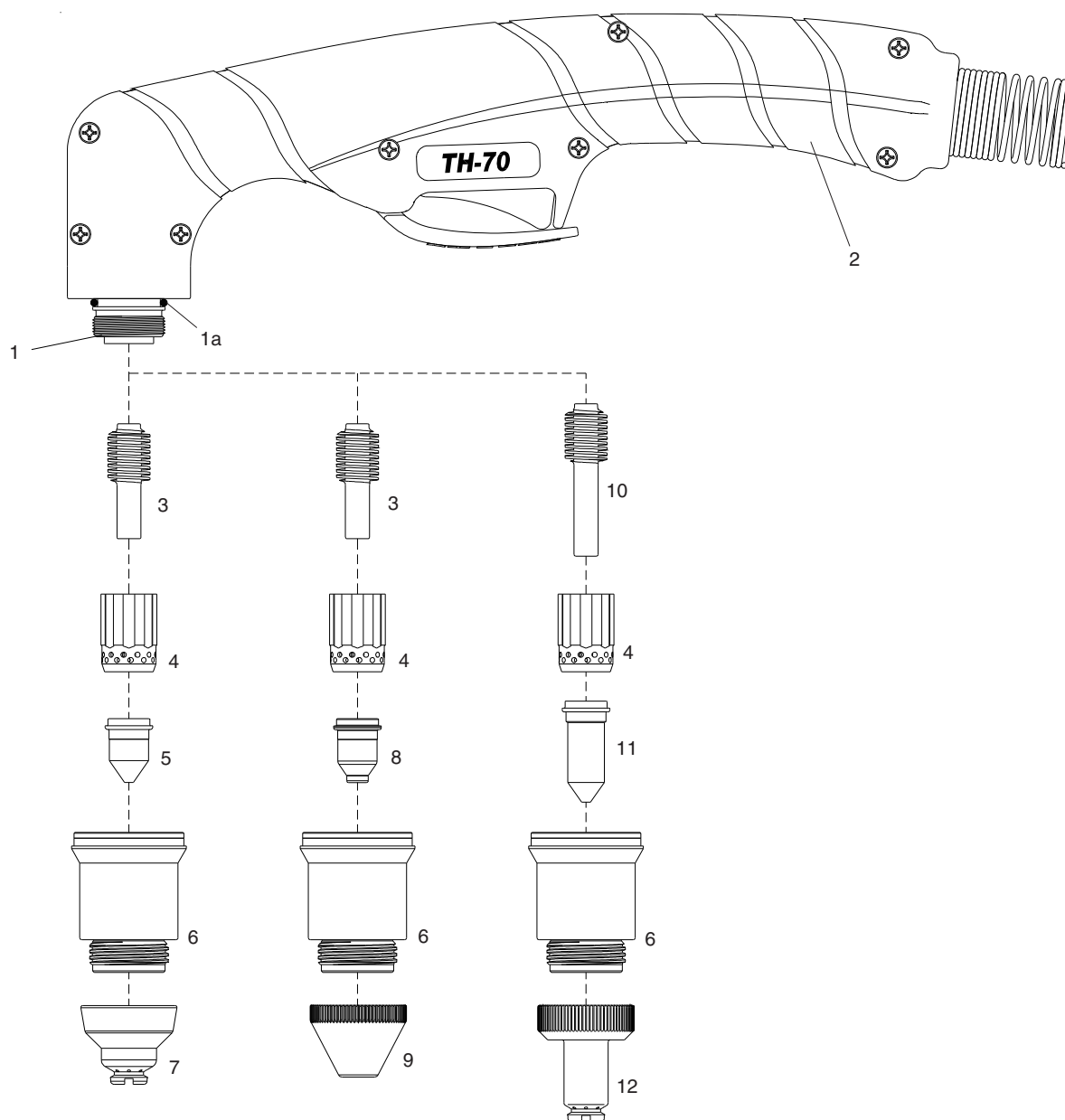
TH-70

PLASMA CUTTING TORCHES

Replacement Parts

Current :	20-70 Amps
Duty Cycle:	70 Amps 50%
Gas:	Air/N ₂
Gas Pressure	
- Cutting:	72-80 PSI (5.0-5.5 bar)
- Gouging:	58-65 PSI (4.0-4.5 bar)
Gas Flow at 70A:	390 scfh (185 lpm)
Pilot :	Electrode to Tip
Ignition:	Without HF

For the correct operation please use:
3-Ways Solenoid Valve, inside orifice
3.5-4.0mm - (0.138-0.157 inches)



TH-70

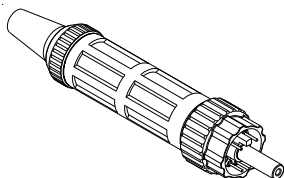
PLASMA CUTTING TORCHES

Air or N₂

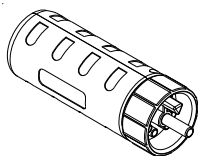
Air Filter
AT-1000



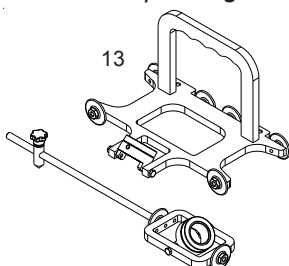
Standard
Connection
Euro Connector



EASYFIT
Connection



Bevel Tool
Patent pending



Replacement Parts

Torch parts

Item	Description	Code
1	● TH-70 Hand Torch Head	03600
1a	● O-Ring	07300.60
2	● Handle with parts	03606
3	● Electrode	52574
4	Swirl ring	60041E
	● Swirl ring Maximum Life	60041
5	Tip, Contact Cutting, 20-50A	51206
	● Tip, Contact Cutting, 70A	51206.11
6	● Shield Cup Body	60305T
7	● Shield Cap, Hand	51923
8	Tip, Gouging, 45A	51206G
	Tip, Gouging, 70A	51206G.10
9	Shield Cap, Gouging	51924G
10	Extended Electrode	52574L
11	Extended Shielded Tip, Contact Cutting, 20-50A	51206L
	Extended Shielded Tip, Contact Cutting, 70A	51206L.11
12	Extended Shield Cap, Hand	51923L

Torches and Leads

TH-70 Hand Torch, 6m (20ft) Leads, Coaxial Cable	03621CX
TH-70 Hand Torch, 12m (40ft) Leads, Coaxial Cable	03626CX
TH-70 Lead Assembly, Hand, 6m (20 ft) Length, Coaxial Cable	03681CX
TH-70 Lead Assembly, Hand, 12m (40 ft) Length, Coaxial Cable	03686CX

Accessories

Item	Description	Code
N/S	Circle Cutting Attachment	51865
13	BEVEL TOOL	51880

Torches with different connectors available on request.

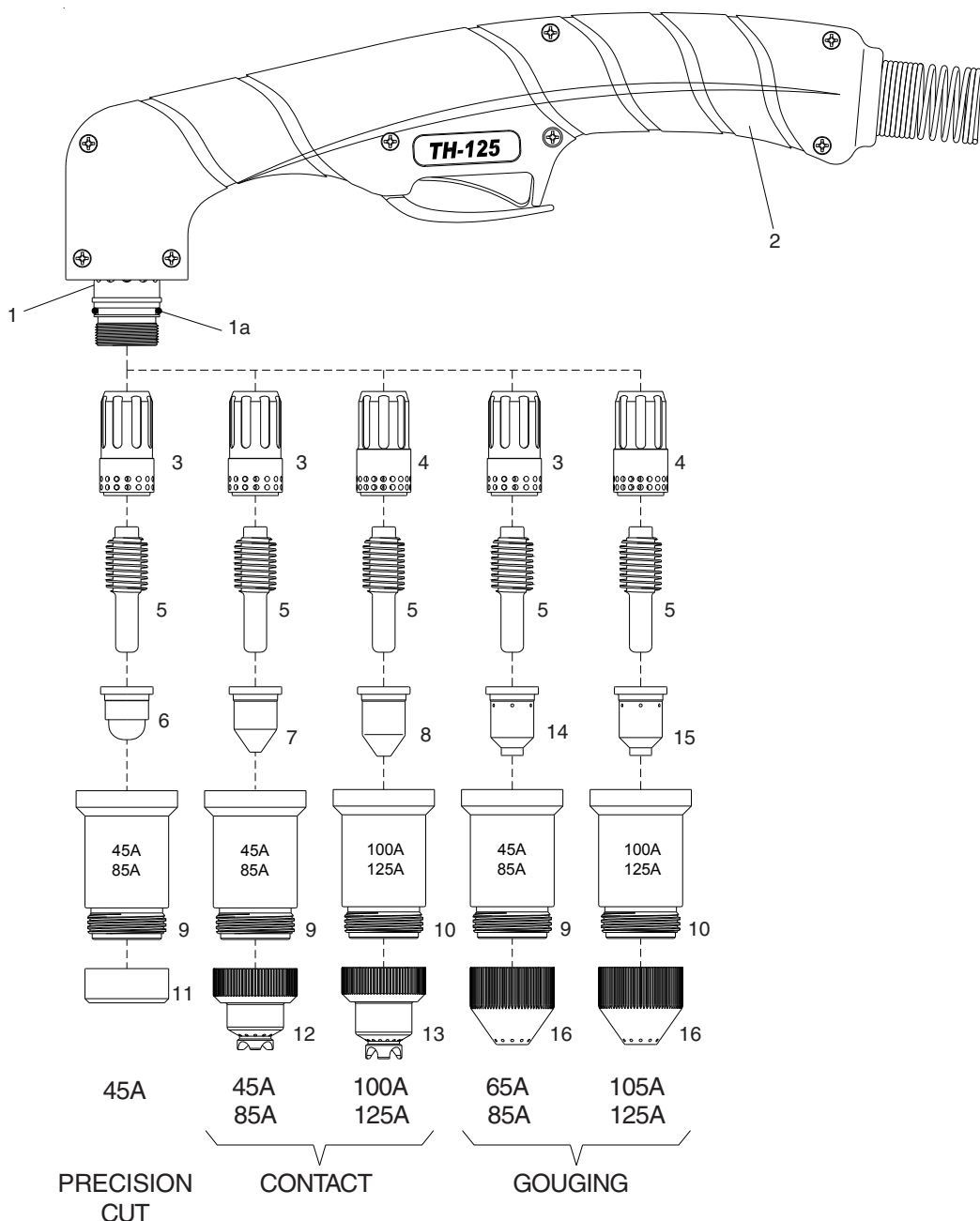
TH-125

PLASMA CUTTING TORCHES

Replacement Parts

Current : 40-125 Amps
Duty Cycle: 125 Amps at 60%
Gas: Air/N₂
Gas Pressure
 - Cutting: 72-87 PSI (5.0-6.0 bar)
 - Gouging: 58-65 PSI (4.0-4.5 bar)
Gas Flow at 125A: 630 SCFH (295 lpm)
Pilot : Electrode to Tip (15-18A)
Ignition: Without HF

For the correct operation please use:
 3-Ways Solenoid Valve, inside orifice
 4.5-5.5mm - (0.178-0.217 inches)



TH-125

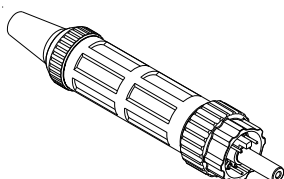
PLASMA CUTTING TORCHES

Air or N₂

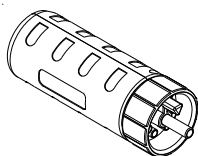
Air Filter
AT-1000



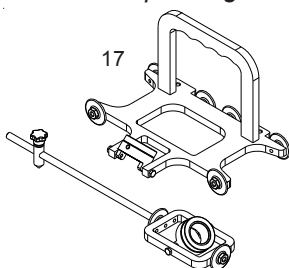
Standard
Connection
Euro Connector



EASYFIT
Connection



Bevel Tool
Patent pending



Replacement Parts

Torch parts

Item	Description	Code
1	● TH-125 Hand Torch Head	03700
1a	● O-Ring	03700.60
2	● Handle with parts	03705
3	Swirl ring, 45-85A	60042E
	Swirl ring, 45-85A Maximum Life	60042
4	Swirl ring, 100-125A	60040E
	● Swirl ring, 100-125A Maximum Life	60040
5	● Electrode, 45-125A	52677
	Electrode, 45-125A, BiMetal	52677BM
6	Tip, Cutting, 45A Precision Cut	51415
7	Tip, Cutting, 45A	51416
	Tip, Cutting, 65A	51417
	Tip, Cutting, 85A	51418
8	Tip, Cutting, 105A	51419
	● Tip, Cutting, 125A	51419.16
9	Shield Cup Body, 45-85A	60309TA
10	● Shield Cup Body, 100-125A	60309TC
11	Deflector, 45A Precision Cut	51928
12	Shield Cap, Hand, 45-85A	51921
13	● Shield Cap, Hand, 100-125A	51926
14	Tip, Gouging, 65-85A	51417G
15	Tip, Gouging, 105A	51418G
	Tip, Gouging, 125A	51419G
16	Shield Cap, Gouging	51927G

Torches and Leads

TH-125	Hand Torch, 6m (20 ft) Leads, Coaxial Cable	03721CX
TH-125	Hand Torch, 12m (40 ft) Leads, Coaxial Cable	03726CX
TH-125	Lead Assembly, Hand, 6m (20 ft) Length, Coaxial Cable	03781CX
TH-125	Lead Assembly, Hand, 12m (40 ft) Length, Coaxial Cable	03786CX

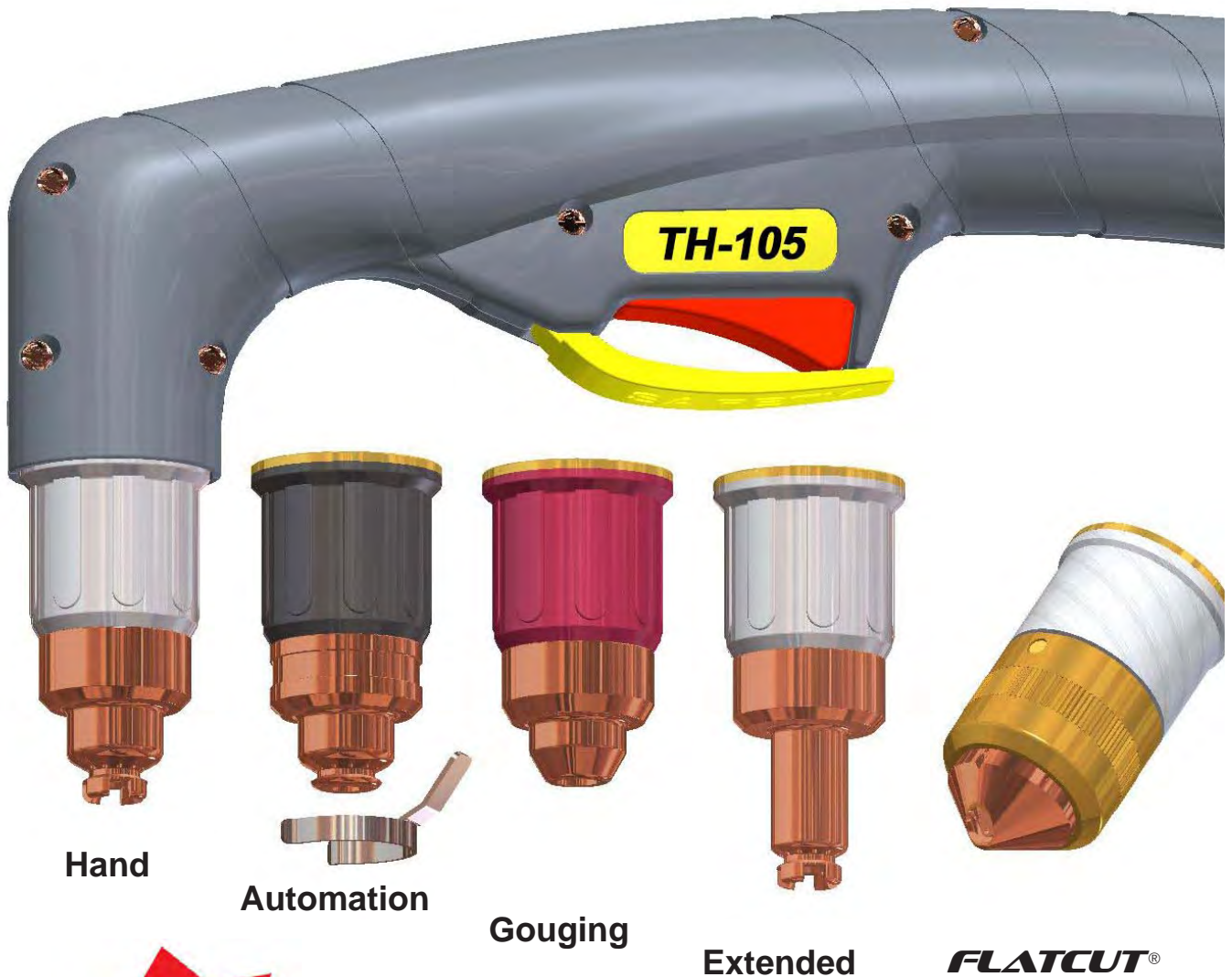
Accessories

N/S	Circle Cutting Attachment	51865
17	BEVEL TOOL	51880

Torches with different connectors available on request.

UNICUT®

Single-use cartridges PLUG and CUT




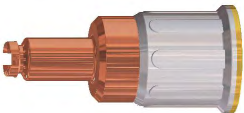
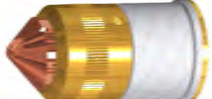


- Easy replacement of consumable parts
- Eliminated the risk of using unsuitable spare parts
- Identification by color based on application
- Reduced number of items in stock

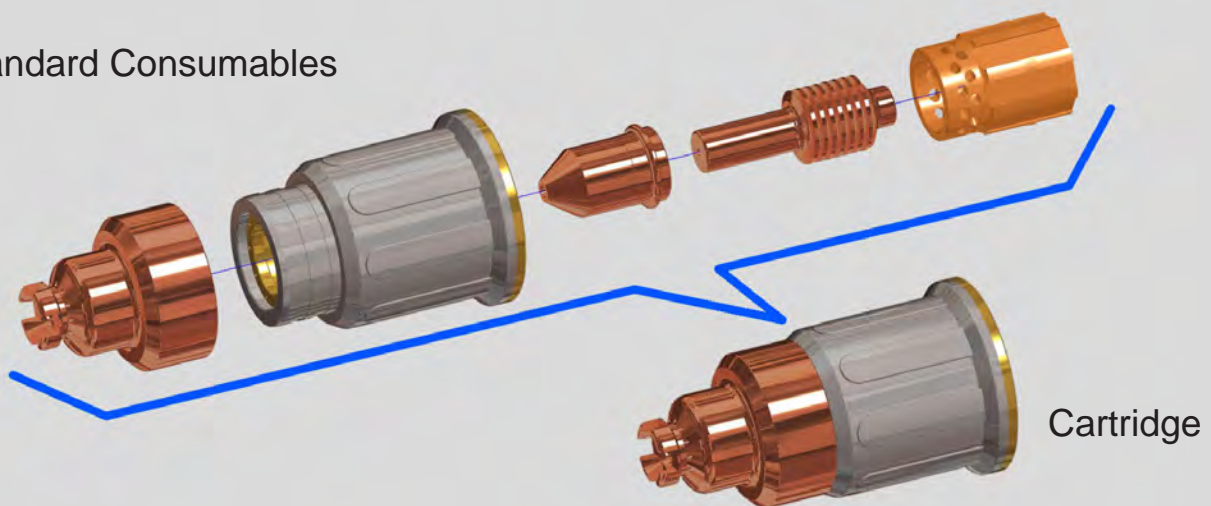


UNICUT®

Single-use cartridges PLUG and CUT

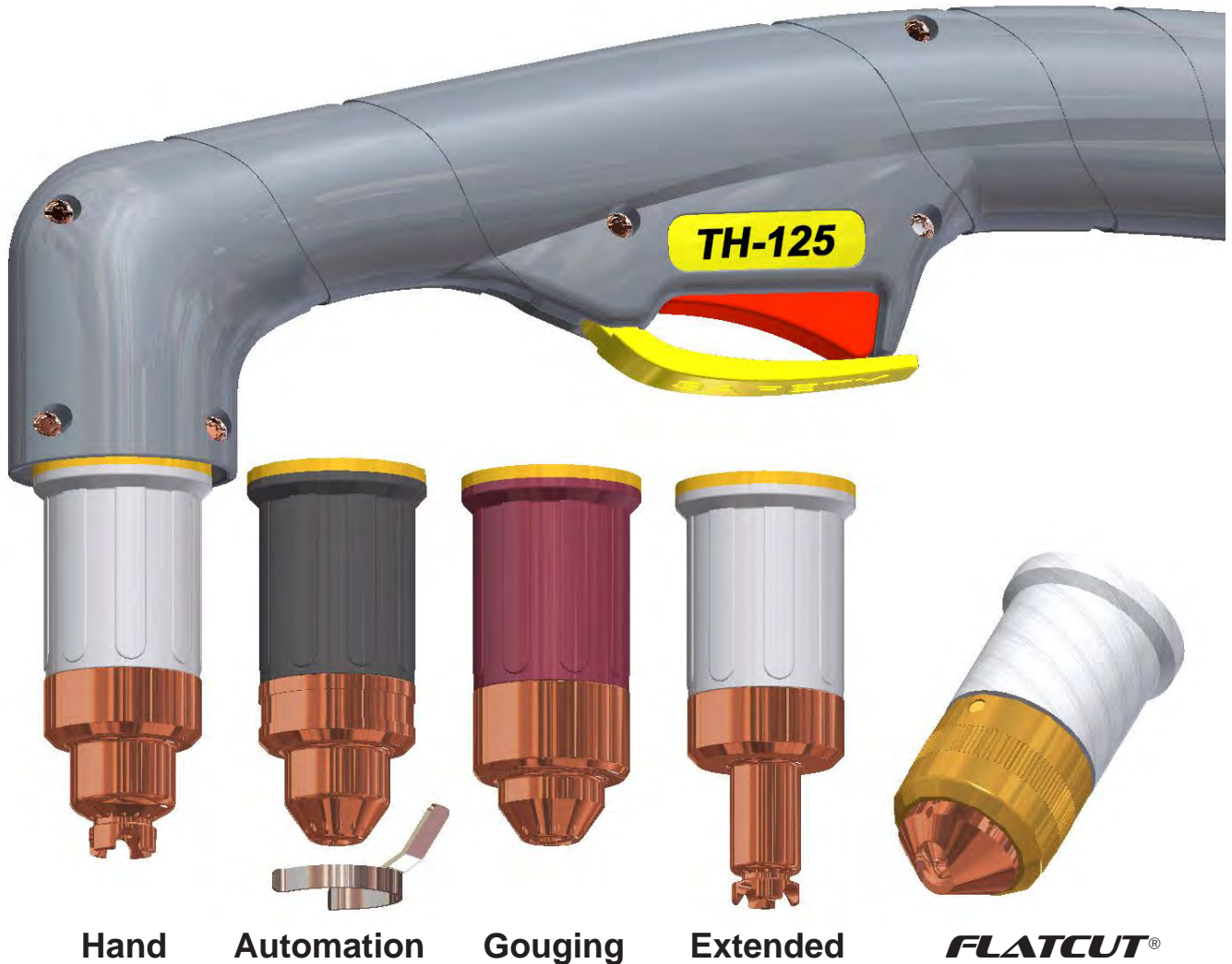
	Code	Description
Hand 	53601MT	Cartridge TH-70/105 45A hand cutting
	53602MT	Cartridge TH-70/105 70A hand cutting
	53603MT	Cartridge TH-105 85A hand cutting
	53604MT	Cartridge TH-105 105A hand cutting
Automation 	53606MT	Cartridge TM-70/105 45A machine cutting
	53607MT	Cartridge TM-70/105 70A machine cutting
	53608MT	Cartridge TM-105 85A machine cutting
	53609MT	Cartridge TM-105 105A machine cutting
	53671.44	Clip OHMIC (pcs.3)
Gouging 	53611MT	Cartridge TH-70/105 45A Gouging
	53612MT	Cartridge TH-70/105 70A Gouging
	53613MT	Cartridge TH-105 105A Gouging
Extended 	53615MT	Cartridge TH-70/105 45A Extended hand cutting
	53616MT	Cartridge TH-70/105 70A Extended hand cutting
	53617MT	Cartridge TH-105 85A Extended hand cutting
	53618MT	Cartridge TH-105 105A Extended hand cutting
FLATCUT® 	53630T	Cartridge TH-70/105 40/70A FLATCUT
	53631T	Cartridge TH-70/105 80/105A FLATCUT

Standard Consumables



UNICUT®

Single-use cartridges PLUG and CUT


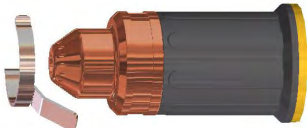
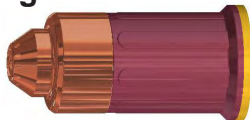
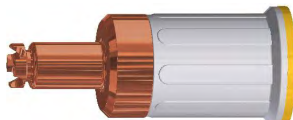
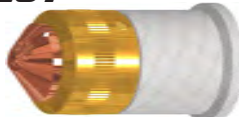


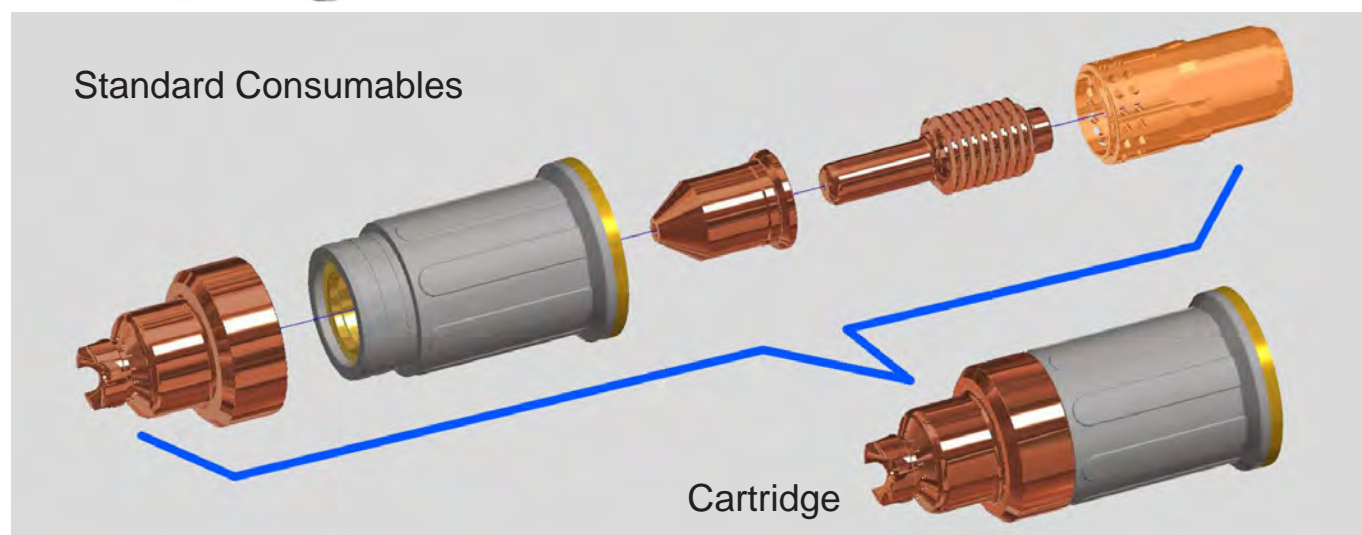
- Easy replacement of consumable parts
- Eliminated the risk of using unsuitable spare parts
- Identification by color based on application
- Reduced number of items in stock



UNICUT®

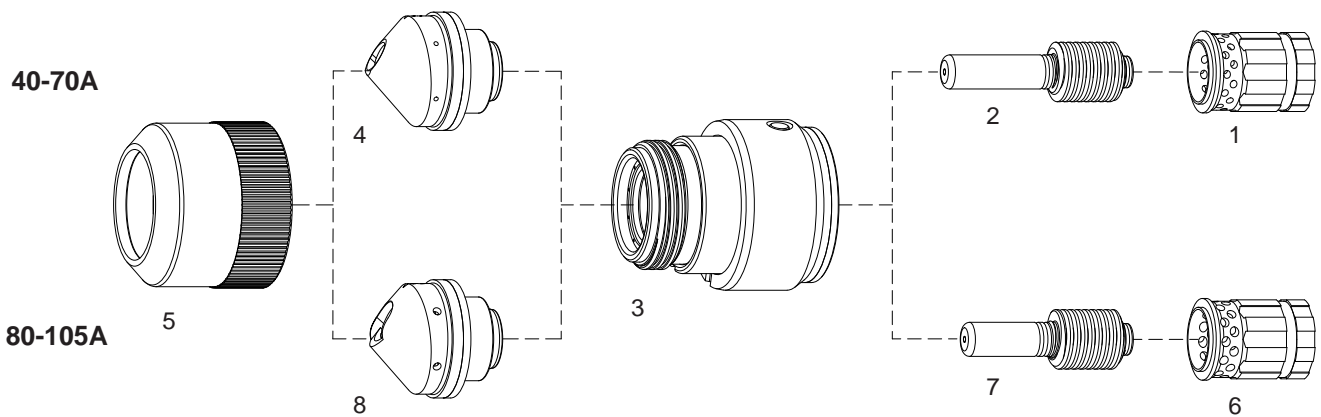
Single-use cartridges PLUG and CUT

	Code	Description
Hand 	53641MT	Cartridge TH-125 45A hand cutting
	53642MT	Cartridge TH-125 65A hand cutting
	53643MT	Cartridge TH-125 85A hand cutting
	53644MT	Cartridge TH-125 105A hand cutting
	53645MT	Cartridge TH-125 125A hand cutting
Automation 	53647MT	Cartridge TM-125 45A machine cutting
	53648MT	Cartridge TM-125 65A machine cutting
	53649MT	Cartridge TM-125 85A machine cutting
	53650MT	Cartridge TM-125 105A machine cutting
	53651MT	Cartridge TM-125 125A machine cutting
	53672.44	Clip OHMIC (pcs.3)
Gouging 	53654MT	Cartridge TH-125 65/85A Gouging
	53655MT	Cartridge TH-125 105A Gouging
	53656MT	Cartridge TH-125 125A Gouging
Extended 	53659MT	Cartridge TH-125 65A Extended hand cutting
	53660MT	Cartridge TH-125 85A Extended hand cutting
	53661MT	Cartridge TH-125 105A Extended hand cutting
	53662MT	Cartridge TH-125 125A Extended hand cutting
FLATCUT® 	53632T	Cartridge TH-125 40/70A FLATCUT
	53633T	Cartridge TH-125 80/125A FLATCUT

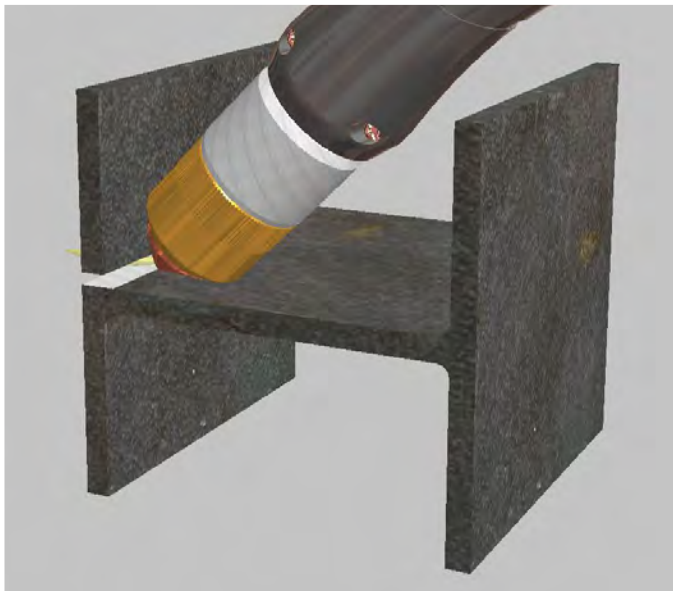


FLATCUT®

with 45 degree inclined arc for cutting Flat



#	Code	Description	Pkg
	53501T	Standard KIT 40-70A	1
1	60075	Swirl Ring 40-70A	2
2	53519	Electrode 40-70A	5
3	53510T	Retaining Cap	1
4	53530	Tip 40-70A	5
5	53541	Retaining Ring	2
	53502T	Standard KIT 80-105A	1
6	60076	Swirl Ring 80-105A	2
7	53520	Electrode 80-105A	5
3	53510T	Retaining Cap	1
8	53531	Tip 80-105A	5
5	53541	Retaining Ring	2



FLATCUT®

Some cutting examples that can be performed
with the FLATCUT

BXATH105-FC



BXATH105-FC Special Box

Code	Description	Qty
60075	Swirl Ring 40-70A	1
53519	Electrode 40-70A	5
53530	Tip 40-70A	5
60076	Swirl Ring 80-105A	1
53520	Electrode 80-105A	5
53531	Tip 80-105A	5
53502T	Standard KIT 80-105A	1

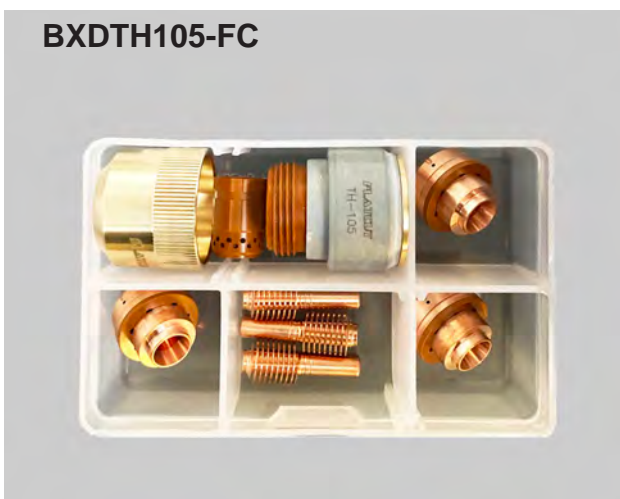
BXDTH70-FC



BXDTH70-FC Mini Kit 40-70A

Code	Description	Qty
60075	Swirl Ring 40-70A	1
53519	Electrode 40-70A	3
53510T	Retaining Cap	1
53530	Tip 40-70A	3
53541	Retaining Ring	1

BXDTH105-FC

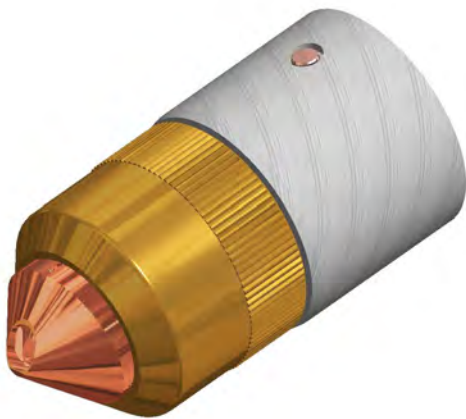
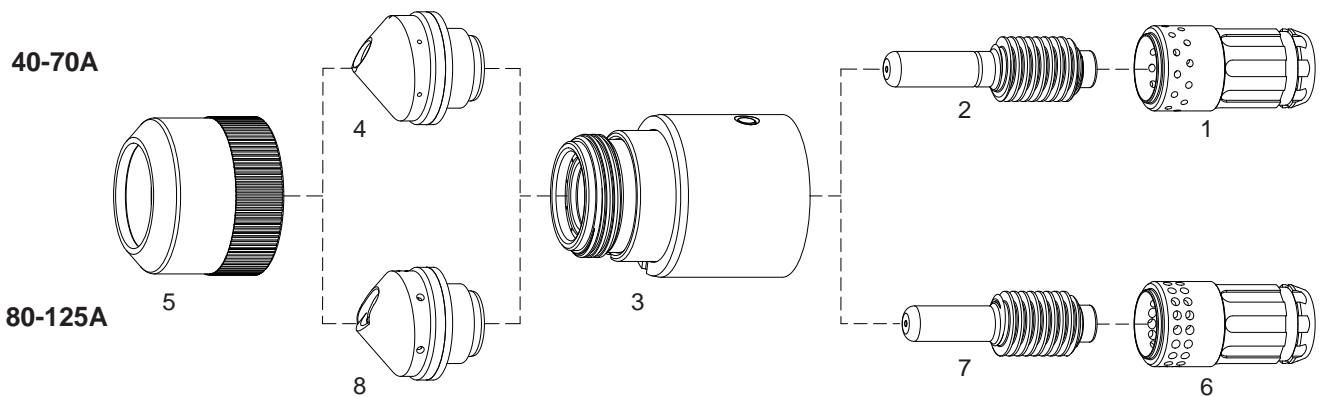


BXDTH105-FC Mini Kit 80-125A

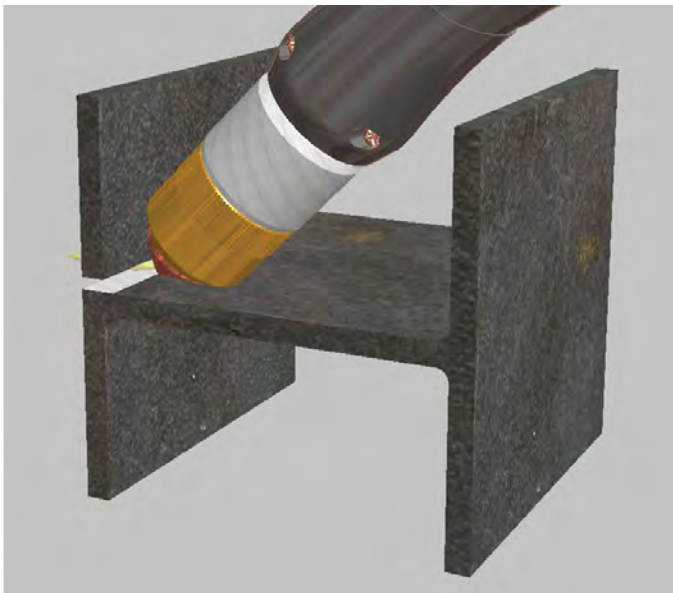
Code	Description	Qty
60076	Swirl Ring 80-105A	1
53520	Electrode 80-105A	3
53510T	Retaining Cap	1
53531	Tip 80-105A	3
53541	Retaining Ring	1

FLATCUT®

with 45 degree inclined arc for cutting Flat



#	Code	Description	Pkg
	53504T	Standard KIT 40-70A	1
1	60062	Swirl Ring 40-70A	2
2	53521	Electrode 40-70A	5
3	53511	Retaining Cap	1
4	53532	Tip 40-70A	5
5	53541	Retaining Ring	2
	53505T	Standard KIT 80-125A	1
6	60063	Swirl Ring 80-125A	2
7	52677	Electrode 80-125A	5
3	53511	Retaining Cap	1
8	53533	Tip 80-125A	5
5	53541	Retaining Ring	2



FLATCUT®

Some cutting examples that can be performed
with the FLATCUT

BXATH125-FC



BXATH125-FC Special Box

Code	Description	Qty
60062	Swirl Ring 40-70A	1
53521	Electrode 40-70A	5
53532	Tip 40-70A	5
60063	Swirl Ring 80-125A	1
52677	Electrode 80-125A	5
53533	Tip 80-125A	5
53505T	Standard KIT 80-125A	1

BXDTH125-70FC



BXDTH125-70FC Mini Kit 40-70A

Code	Description	Qty
60062	Swirl Ring 40-70A	1
53521	Electrode 40-70A	3
53511T	Retaining Cap	1
53532	Tip 40-70A	3
53541	Retaining Ring	1

BXDTH125-125FC

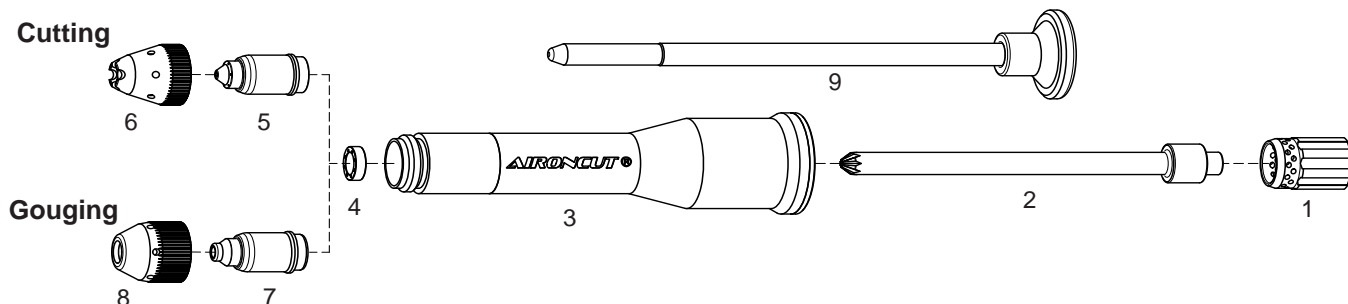


BXDTH125-125FC Mini Kit 80-125A

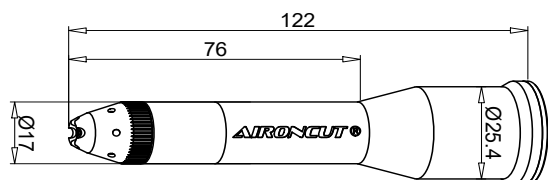
Code	Description	Qty
60063	Swirl Ring 80-125A	1
52677	Electrode 80-125A	3
53511T	Retaining Cap	1
53533	Tip 80-125A	3
53541	Retaining Ring	1

AIRONCUT®

New high visibility consumable system
to cut inaccessible parts.



For gouging use maximum 4 bar



53052T Standard Kit 70A Cutting

#	Code	Description	Pkg
1	60041E	Swirl Ring 20-70A	2
2	53001	Electrode	3
3	53012T	Shield Cup Body	1
4	53022	Vortex Ring	3
5	53031	Tip 20-45A	5
	53032	Tip 70A	5
6	53047	Shield Cap Cutting	5
7	53036	Tip 50A Gouging	5
	53037	Tip 70A Gouging	5
8	53046	Shield Cap Gouging	5
9	53080	Extractor for tip	1

BXATH70-AC



BXATH70-AC

Special Box

Code	Description	Qty
60041E	Swirl Ring 20-70A	1
53001	Electrode	2
53022	Vortex Ring	2
53031	Tip 20-45A	3
53032	Tip 70A	5
53047	Shield Cap Cutting	2
53036	Tip 50A Gouging	3
53037	Tip 70A Gouging	5
53046	Shield Cap Gouging	2
53052T	Standard Kit 70A Cutting	1

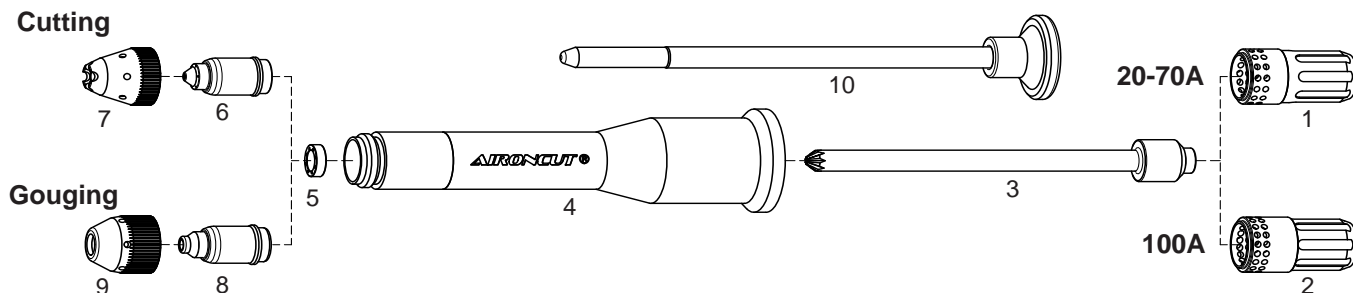
AIRONCUT[®]

New high visibility consumable system
to cut inaccessible parts.

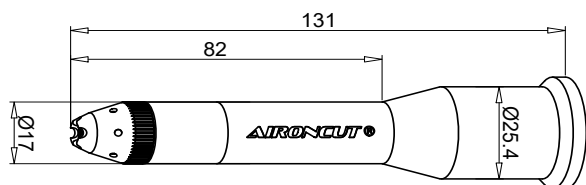


AIRONCUT®

New high visibility consumable system
to cut inaccessible parts.



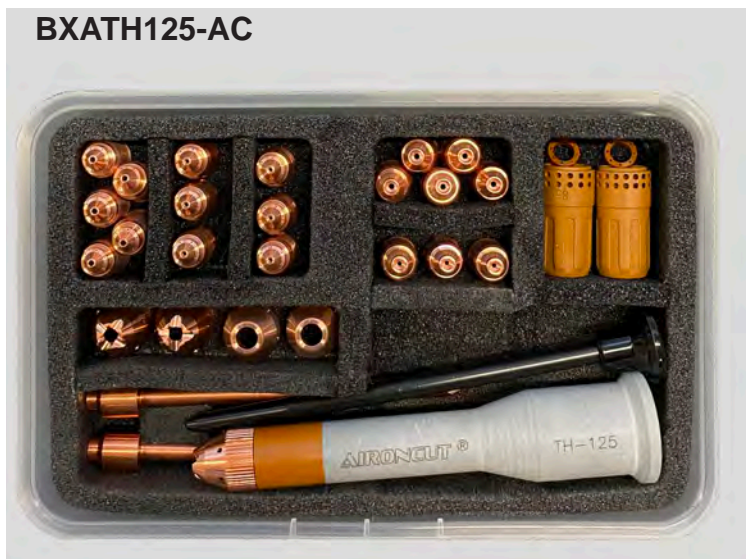
For gouging use maximum 4 bar



53152T Standard Kit 70A Cutting

#	Code	Description	Pkg
1	60042E	Swirl Ring 20-70A	2
2	60040E	Swirl Ring 100A	2
3	53101	Electrode	3
4	53112T	Shield Cup Body	1
5	53022	Vortex Ring	3
6	53031	Tip 20-45A	5
	53032	Tip 70A	5
	53034	Tip 100A	5
7	53047	Shield Cap Cutting	5
8	53036	Tip 50A Gouging	5
	53037	Tip 70A Gouging	5
	53038	Tip 100A Gouging	5
9	53046	Shield Cap Gouging	5
10	53080	Extractor for tip	1

BXATH125-AC



BXATH125-AC

Special Box

Code	Description	Qty
60042E	Swirl Ring 20-70A	1
60040E	Swirl Ring 100A	1
53101	Electrode	2
53022	Vortex Ring	2
53031	Tip 20-45A	3
53032	Tip 70A	3
53034	Tip 100A	5
53047	Shield Cap Cutting	2
53037	Tip 70A Gouging	3
53038	Tip 100A Gouging	5
53046	Shield Cap Gouging	2
53152T	Standard Kit 70A Cutting	1

IT Util. Pat. Pend.:
N° IT202021000001583

45A	Max Thickness	8 mm
70A	Max Thickness	12.5 mm
100A	Max Thickness	20.0 mm

Megrendeléskor és ajánlatkéréskor kérjük adja meg a termék cikkszámát

AIRONCUT®

**New high visibility consumable system
to cut inaccessible parts.**

