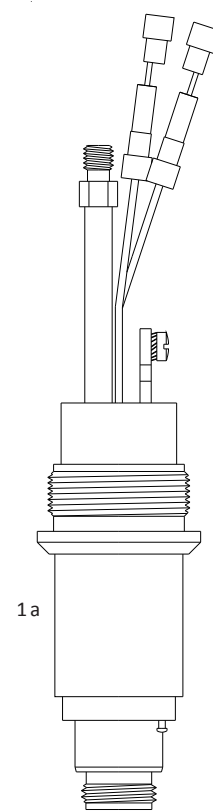
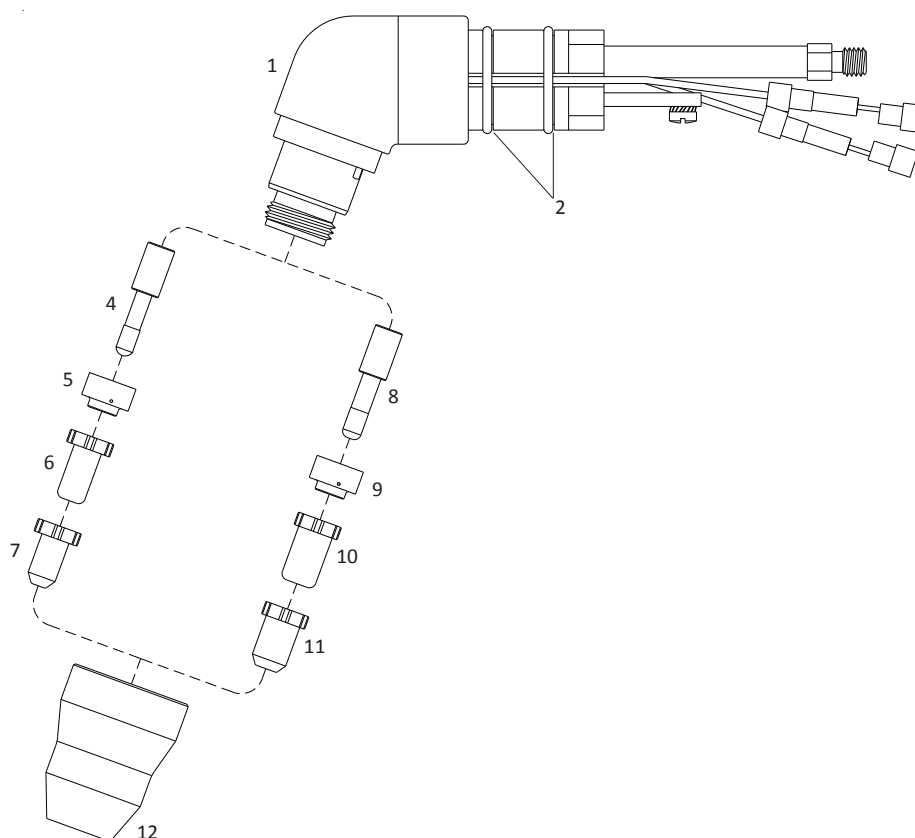
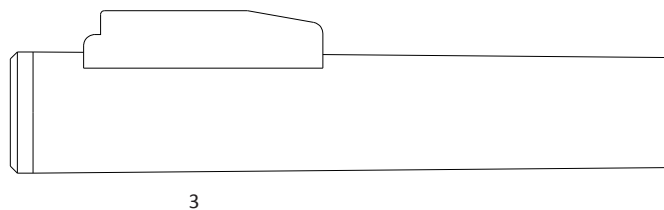


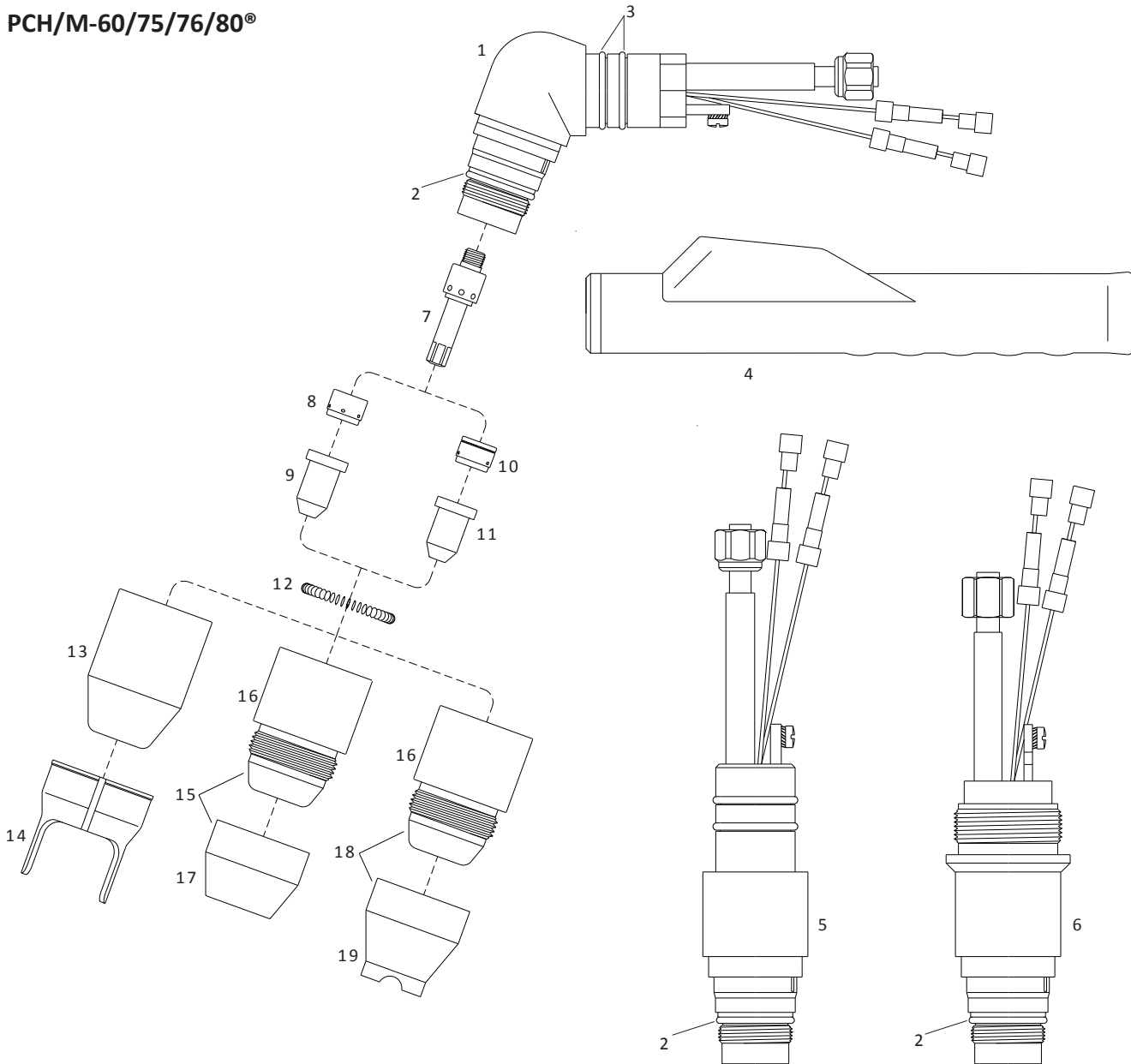
THERMAL DYNAMICS®
PCH-25/26/28/38®
PCH/M-35/40®



No.	Ref.	Code	Description	No.	Ref.	Code	Description
1	9-8055	07037	70° Torch head	6	9-6002	51292	Tip Gouging Groove Air
	9-5807	07035	70° Torch head	7	9-6001	51291	Tip Drag Cut Air
1a	9-8053	07038	180° Torch head		9-4476	51286	Tip Air
ns	9-7833	07215	Machine handle	8	9-6506	52523/D	Electrode Long Life
2	8-0533	07100.53	O-Ring		9-6506	52523	Electrode Long Life OEM style
3		07103	Handgrip with microswitch	9	9-6507	60051	Gas distributor Long Life
4	9-6006	52519/D	Electrode	10	9-6500	51288	Tip - Standoff Long Life
	9-6006	52519	Electrode OEM style	11	9-6501	51289	Tip - Drag Long Life
5	9-6007	60050	Gas distributor	12	9-6003	60347	Shield cap
6	9-6000	51290	Tip 35A Air				

Rendeléshez, ajánlatkéréshez kérjük adják meg a cikkszámot vagy a gyári termékkódot.

THERMAL DYNAMICS®
PCH/M-60/75/76/80®



No.	Ref.	Code	Description	No.	Ref.	Code	Description
1	9-8075	07077	70° Torch head	9	9-7726	51297.13	Tip ø 1.24 - .049 60A
	8-7510	07075	70° Torch head		8-7505	51298	Tip ø 1.32 - .052 70A
2	8-0532	07300.60	O-Ring (shield cap)		9-7728	51298.14	Tip ø 1.39 - .055 80A
3	8-0533	07100.53	O-Ring (handle)	10	8-7508	60056	Gas distributor gouging
4		07106	Handgrip with microswitch	11	8-7506	51299	Tip gouging ø 1.86 - .073
5	9-8073	07078	180° Torch head	12	9-7501E	60442	Coil spring
ns	9-7833	07215	Machine handle	13	8-7500	60440	Shield cap
6	8-7512	07076	180° Torch head	14	8-7575	60444	Double pointed spacer
ns	9-5637E	07115	Machine handle	15	8-7496	60446	Shield cap Maximum Life
7	8-7502	52526/D	Electrode	16	8-7498	60441	Shield cap body
8	8-7501	60055	Gas distributor	17	8-7497	60447	Heat shield (copper)
9	8-7503	51296	Tip ø 0.99 - .039 35A	18	8-7507	60445	Crown shield cap assembly
	8-7504	51297	Tip ø 1.17 - .046 55A	19	8-7499	60443	Crown shield cap copper

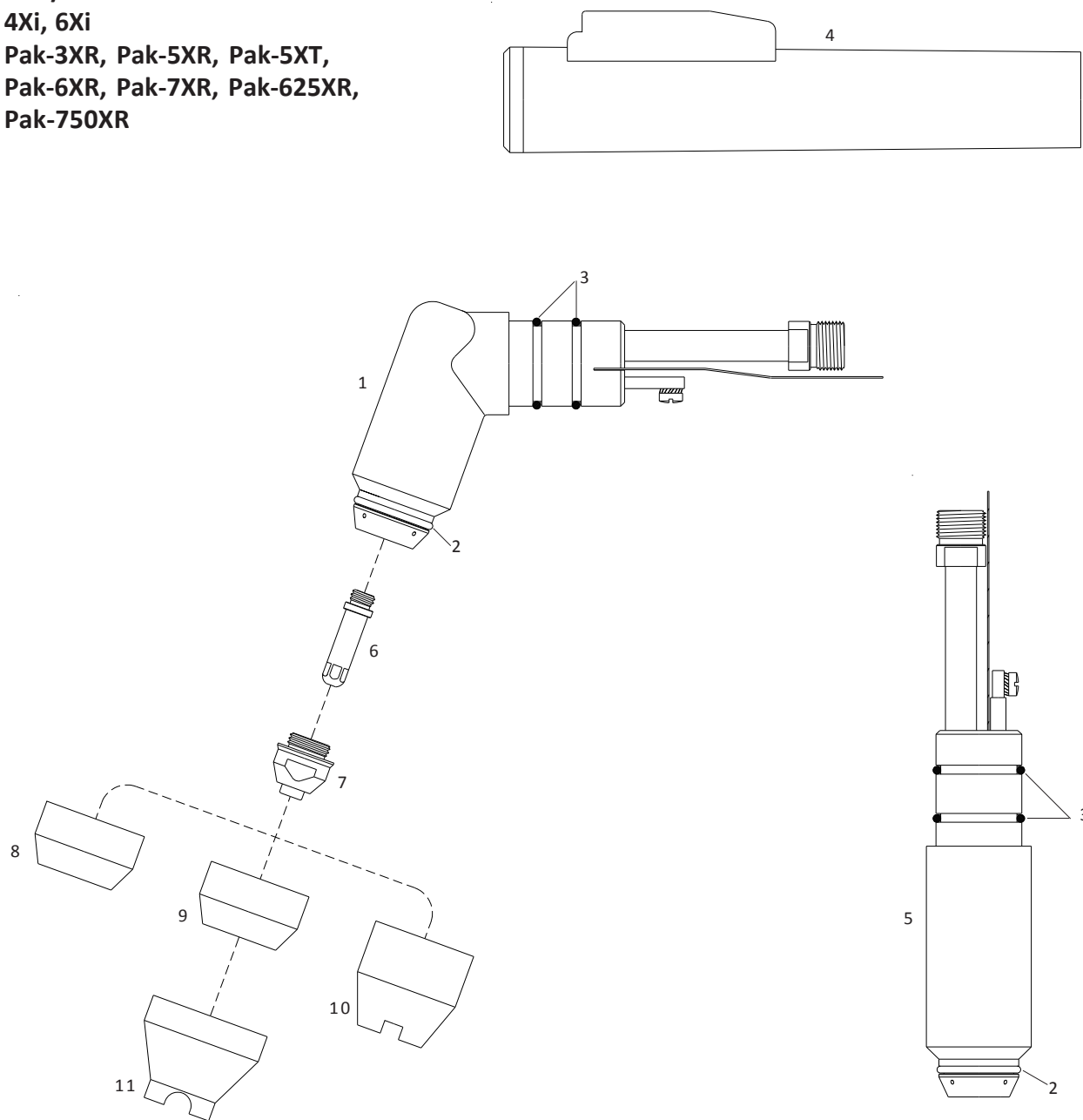
Rendeléshez, ajánlatkéréshez kérjük adják meg a cikkszámot vagy a gyári termékkódot.

THERMAL DYNAMICS®

PCH/M-51®

4Xi, 6Xi

Pak-3XR, Pak-5XR, Pak-5XT,
 Pak-6XR, Pak-7XR, Pak-625XR,
 Pak-750XR



No.	Ref.	Code	Description	No.	Ref.	Code	Description
	2-2860	07120	Hand torch 25' , 7.5m	7	9-5718	51117	Tip \varnothing 0.96 - .038 10/40A
	2-2861	07130	Hand torch 50' , 15m		9-5631	51115	Tip \varnothing 1.10 - .043 10/60A
1	9-5635	07100	70° Torch head		8-3321	51115.12	Tip \varnothing 1.20 - .047 65A
2	8-5525	02000.60	O-Ring (shield cap)		9-5724	51116	Tip gouging \varnothing 2 - .078
3	8-0533	07100.53	O-Ring (handle)	8	9-5630	80010	Shield cap Ceramic
4		07103	Handgrip with microswitch	9	8-2159	60416	Shield cap Phenolic std.
5	9-5634	07110	180° Torch head	10	8-5526	80011	Shield cap Crown Ceramic
6	9-5633	52517	Electrode	11	9-5779	60341	Shield cap Crown

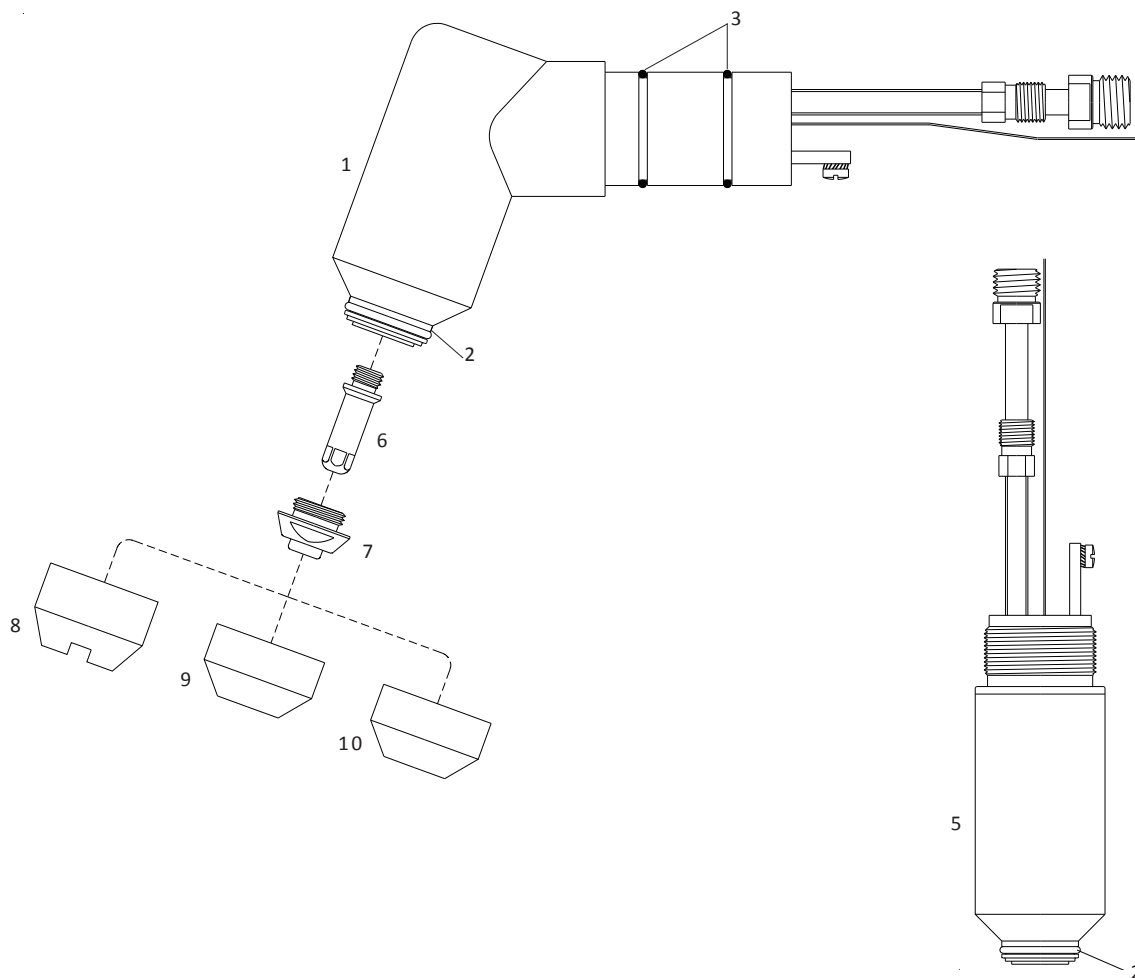
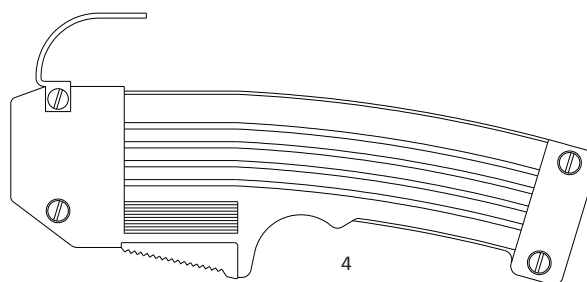
Rendeléshez, ajánlatkéréshez kérjük adják meg a cikkszámot vagy a gyári termékkódot.

THERMAL DYNAMICS®

PCH/M-52®

Pak-5XR*, Pak-6XR*, Pak-7XR,
 Pak-8XR, Pak-10XR,
 Pak-625XR*, Pak-750XR*
 Pak-1000XR, Pak-1250XR

* DUAL GAS



No.	Ref.	Code	Description	No.	Ref.	Code	Description
	2-2936	07220	Hand torch 25', 7.5m	7	9-5702	51180	Tip \varnothing 0.90-.035 35A
	2-2937	07230	Hand torch 50', 15m		9-5618	51181	Tip \varnothing 1.10-.043 45/55A
1	9-5642	07200	70° Torch head		9-5707	51185	Tip \varnothing 1.20-.047 60/70A
2	8-5525	02000.60	O-Ring (shield cap)		9-5782	51185.13	Tip \varnothing 1.32-.052 80A
3	8-0536	07200.50	O-Ring (handle)		9-5708	51186	Tip \varnothing 1.50-.059 105A
4	9-5644E	07307	Handgrip with microswitch	8	9-5694	80017	Shield cap Crown Ceramic
5	9-5643	07210	180° Torch head	9	9-5781	60418	Shield cap Phenolic std.
6	8-3331	52565	Electrode Air	10	9-5617	80015	Shield cap Ceramic std.
	9-5619	52565/N	Electrode Air Plated				

Rendeléshez, ajánlatkéréshez kérjük adják meg a cikkszámot vagy a gyári termékkódot.