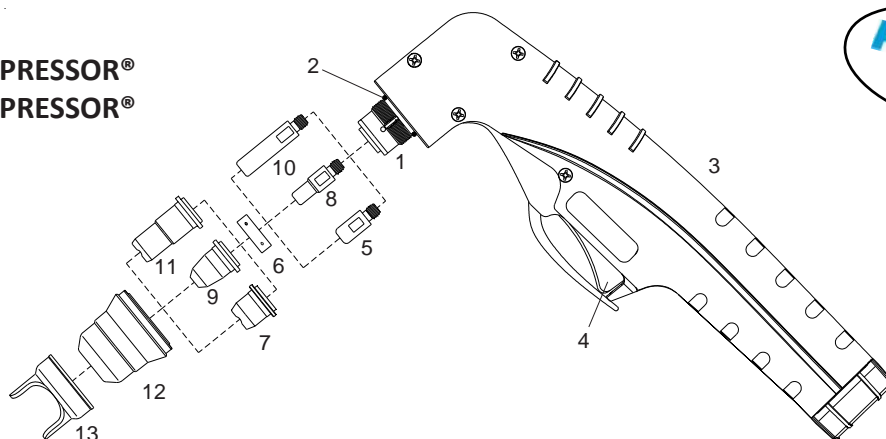


## TELWIN®

PLASMA 34 KOMPRESSOR®

PLASMA 54 KOMPRESSOR®

PLASMA 41®

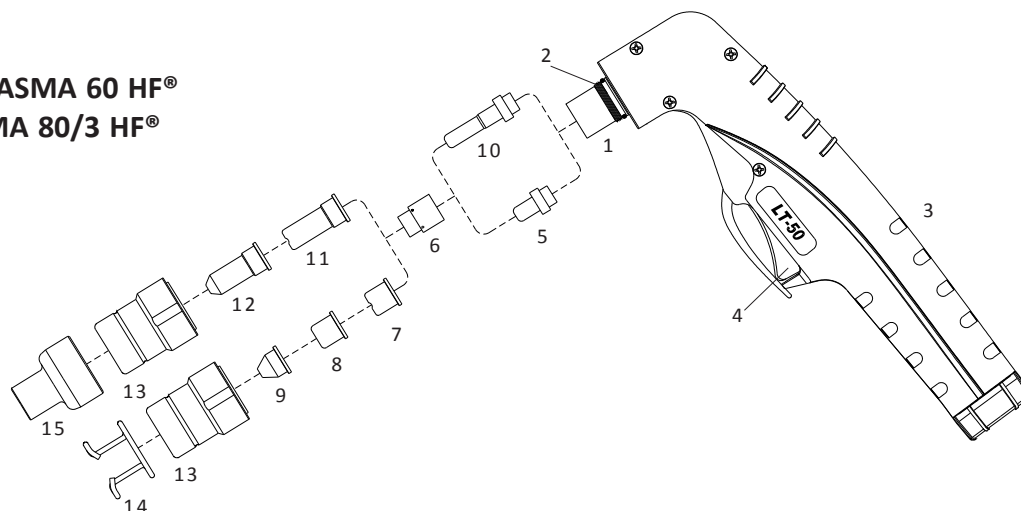


| No. | Ref.   | Code       | Description           | No. | Ref.   | Code     | Description                     |
|-----|--------|------------|-----------------------|-----|--------|----------|---------------------------------|
|     | 742239 | 09620/TW20 | Hand torch PT-20C, 4m | 9   | 802092 | 51316.06 | Tip $\varnothing$ 0.65          |
|     | 742237 | 09620/TW25 | Hand torch PT-25, 4m  |     |        | 51316    | Tip $\varnothing$ 0.8           |
|     | 742065 | 09620/TW30 | Hand torch PT-40, 4m  |     | 802423 | 51316.09 | Tip $\varnothing$ 0.9           |
| 1   | 742474 | 09600      | Torch head            | 10  | 802428 | 52532    | Extended electrode              |
| 2   |        | 51620.60   | O-Ring                | 11  |        | 51317.06 | Extended tip $\varnothing$ 0.65 |
| 3   | 742475 | 09605/R    | Handle with Switch    |     | 802429 | 51317.09 | Extended tip $\varnothing$ 0.9  |
| 4   |        | 07301.20   | Switch                |     |        | 51317    | Extended tip $\varnothing$ 1.0  |
| 5   | 802421 | 52536      | Electrode             | 12  | 802425 | 60389    | Retaining cap                   |
| 6   | 802422 | 60028      | Swirl ring            |     | 802096 | 60389S-1 | Retaining cap (1 hole)          |
| 7   |        | 51315.09   | Tip $\varnothing$ 0.9 |     |        | 60389K   | Retaining cap (2 holes)         |
|     | 802424 | 51315      | Tip $\varnothing$ 1.0 |     | 802485 | 60389K4  | Retaining cap (4 holes)         |
| 8   | 802420 | 52531      | Electrode             | 13  |        | 60431    | Double Pointed Spacer           |

## TELWIN®

SUPERIOR PLASMA 60 HF®

SUPER PLASMA 80/3 HF®



| No. | Ref.   | Code        | Description                       | No. | Ref.   | Code    | Description                              |
|-----|--------|-------------|-----------------------------------|-----|--------|---------|--|
|     | 742040 | 03051LTR-TW | Hand torch, 6m, central connector | 8   |        | 51099   | Flat tip $\varnothing$ 1.0               |
|     | 722474 | 03050LTR-TW | Hand torch, 6m, 9/16" connection  | 9   |        | 51098   | Conical tip $\varnothing$ 1.0 Low Amp.   |
| 1   |        | 01001       | Hand torch head                   | 10  | 802078 | 52513/L | Extended electrode                       |
| 2   |        | 01000.60    | O-Ring                            | 11  | 802079 | 51102   | Extended tip $\varnothing$ 1.0           |
| 3   | 742478 | 09606/R     | Handgrip with switch              |     |        | 51095/L | Extended tip Long Life $\varnothing$ 1.0 |
| 4   |        | 07301.20    | Switch                            |     |        | 51102/S | Extended tip Long Life $\varnothing$ 1.1 |
| 5   | 802076 | 52512/L     | Electrode                         | 12  |        | 51101   | Extended conical tip $\varnothing$ 1.0   |
| 6   | 802080 | 60001       | Swirl ring                        | 13  | 802081 | 60320/I | Retaining cap                            |
| 7   | 802077 | 51100       | Tip $\varnothing$ 1.0             | 14  | 802128 | 51901   | Spacer Spring                            |
|     |        | 51095       | Tip Long Life $\varnothing$ 1.0   | 15  |        | 51965   | Shield cap, hand, extended tips          |
|     |        | 51100/S     | Tip Long Life $\varnothing$ 1.1   |     |        |         |  |

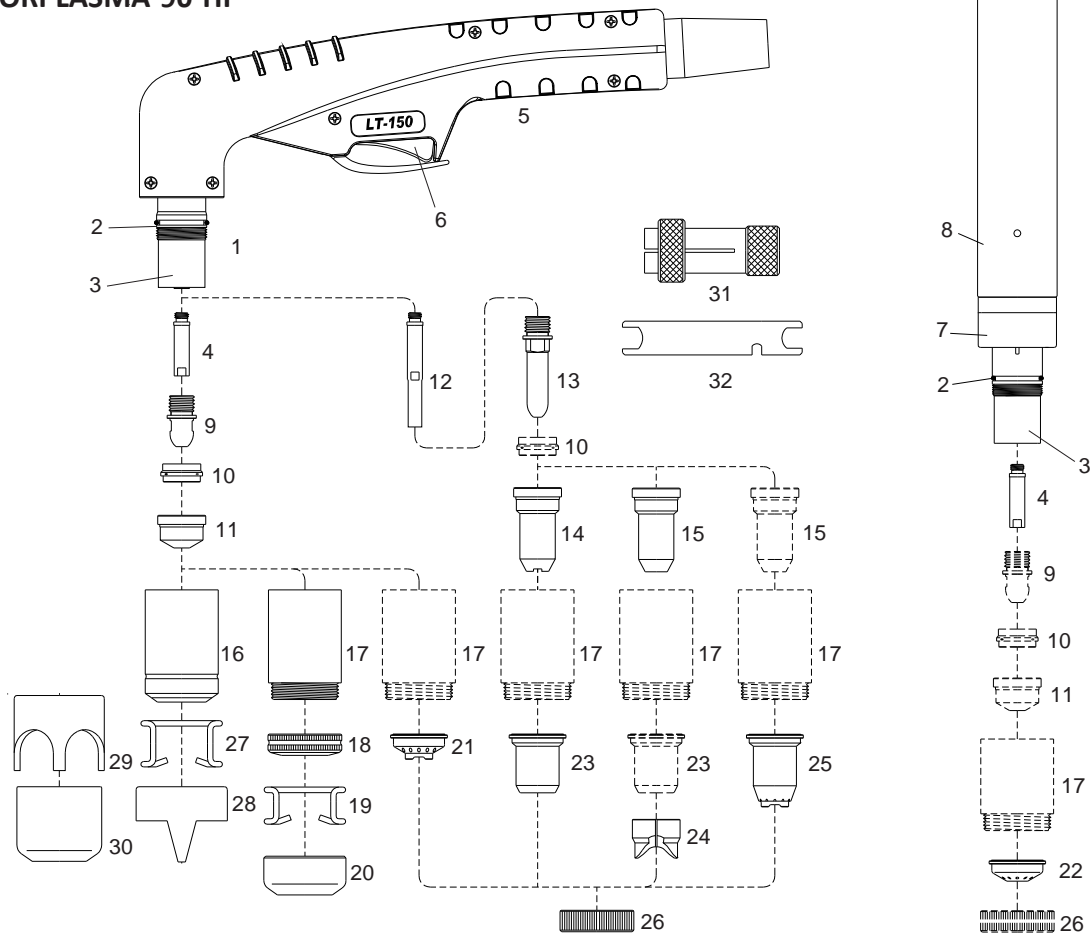
Rendeléshez, ajánlatkéréshez kérjük adják meg a cikkszámot vagy a gyári termékódot.

# TELWIN®

ENTERPRISE PLASMA 160 HF®

SUPER PLASMA 120/3 HF®

SUPERIORPLASMA 90 HF®



| No. | Ref.   | Code        | Description                         | No. | Ref.   | Code     | Description                           |
|-----|--------|-------------|-------------------------------------|-----|--------|----------|---------------------------------------|
|     | 722332 | 04051LTR-TW | Hand torch, 6m, cent. connector     | 15  |        | 51148.13 | Extended tip $\varnothing$ 1.35 - 90A |
|     | 722333 | 04151LTR-TW | Hand torch, 12m, cent. connector    |     |        | 51148.16 | Extended tip $\varnothing$ 1.6 - 120A |
|     | 722334 | 04501-TW    | Machine torch, 12m, cent. connector |     |        | 51148.18 | Extended tip $\varnothing$ 1.8 - 150A |
| 1   |        | 02001       | Hand torch head                     | 16  | 802126 | 60330    | Retaining cap                         |
| 2   | 802120 | 02000.60    | O-Ring                              | 17  |        | 60350    | Contact retaining cap                 |
| 3   |        | 60080       | Front insulator                     |     |        | 60350/V  | Contact retaining cap, Max Life       |
| 4   |        | 05004       | Diffusor                            | 18  |        | 51952    | Spring holder protection nut          |
| 5   |        | 09706/R     | Handgrip with switch                | 19  |        | 51911    | Spacer spring for code 51952          |
| 6   |        | 07301.20    | Switch                              | 20  |        | 51953    | Gouging spacer                        |
| 7   |        | 04300       | Machine torch head                  | 21  |        | 51950    | Shield cup hand                       |
| 8   |        | 03310       | Machine handle                      | 22  |        | 51951    | Shield cup machine                    |
| 9   |        | 52540       | Electrode                           | 23  |        | 51957    | Shield cup hand max 50A               |
| 10  | 802123 | 60020       | Swirl ring                          | 24  |        | 51958    | Spacer contact cutting hand           |
| 11  |        | 51140/S     | Tip Long Life $\varnothing$ 1.1     | 25  |        | 51974    | Spacer extended tips High Amp.        |
|     | 802119 | 51141/S     | Tip Long Life $\varnothing$ 1.35    | 26  |        | 51959    | Locking nut                           |
|     | 802124 | 51142/S     | Tip Long Life $\varnothing$ 1.6     | 27  | 802127 | 51910    | Spacer spring                         |
|     | 802125 | 51143/S     | Tip Long Life $\varnothing$ 1.8     |     |        |          |                                       |
|     |        | 51144.24    | Gouging tip $\varnothing$ 2.4 120A  | 28  |        | 60370    | Double pointed spacer                 |
|     |        | 51144       | Gouging tip $\varnothing$ 3.0 150A  | 29  |        | 60371    | Crown spacer                          |
| 12  | 802121 | 05005       | Extended diffusor                   | 30  |        | 60373    | Gouging spacer                        |
| 13  |        | 52549       | Extended electrode                  | 31  |        | 60369    | Extractor for swirl ring              |
| 14  | 802083 | 51148       | Contact extended tip max 50A        | 32  |        | 60368    | Wrench for electrode                  |

Rendeléshez, ajánlatkéréshez kérjük adják meg a cikkszámot vagy a gyári termékódot.