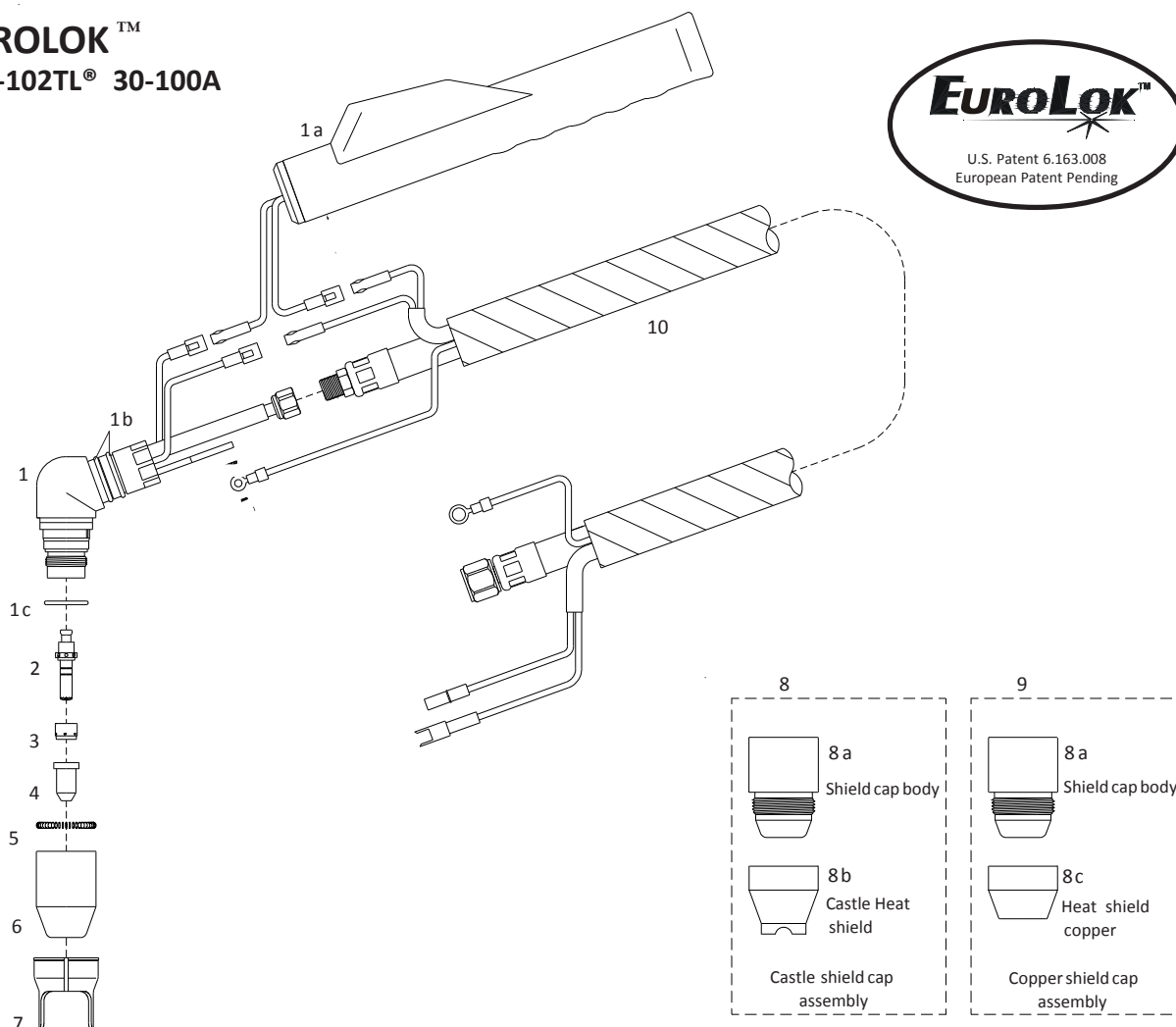


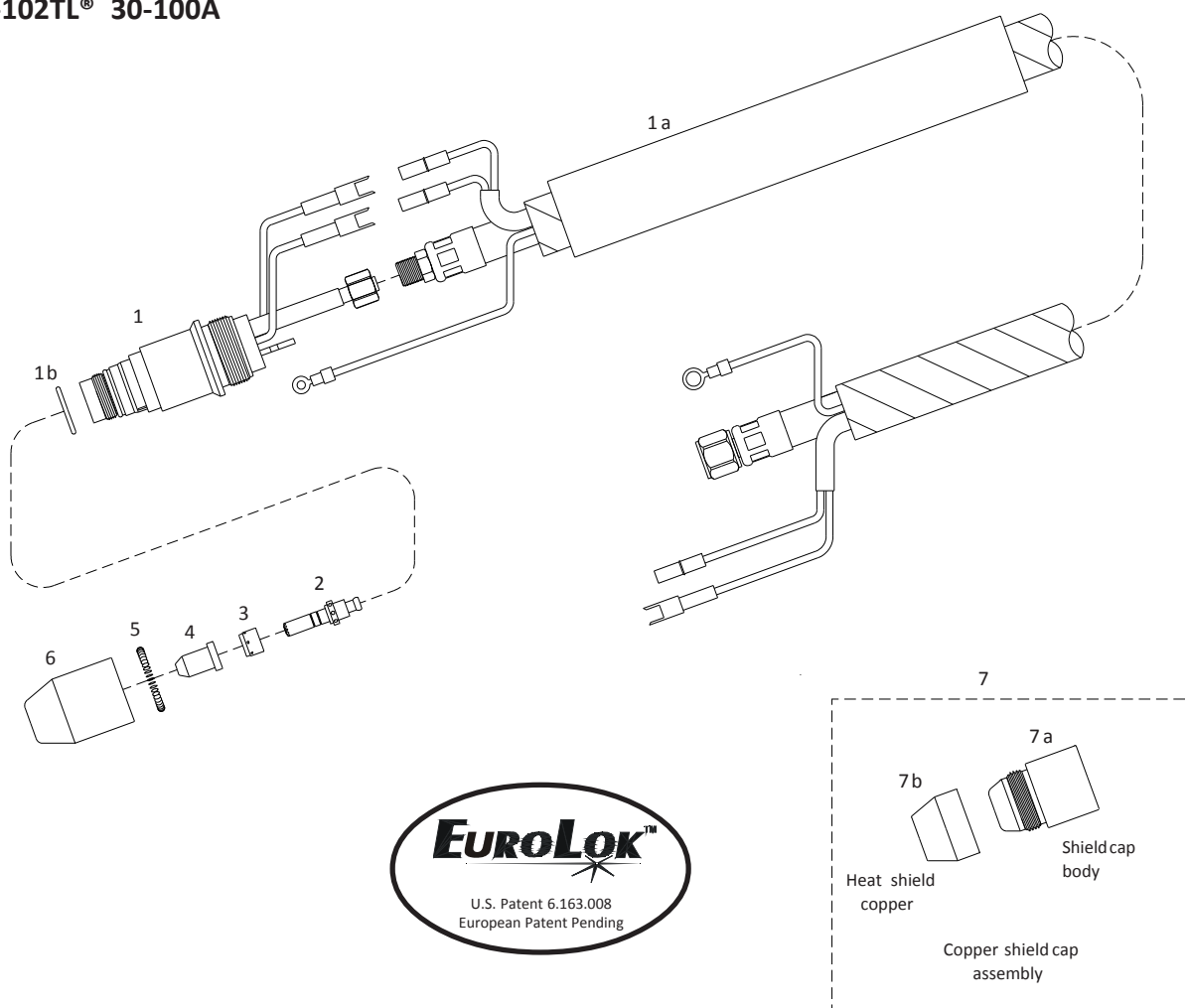
**EUROLOK™**  
**PCH-102TL® 30-100A**



| No. | Ref.     | Code     | Description                               | No. | Ref.    | Code    | Description   |
|-----|----------|----------|---|-----|---------|---------|---|
| 1   | 9-8405EL | 07902    | Hand torch head                           | 4   | 8-7506  | 51299   | Tip gouging, Air/N2 ø 1.86 - 0.073                      |
| 1a  |          | 07106E   | Handle with microswitch                   | 5   | 9-7501E | 60442   | Coil spring   |
| 1b  | 8-0533   | 07100.53 | O-Ring                                    | 6   | 8-7500E | 60440   | Shield cap (including item #5)                          |
| 1c  | 8-0532   | 07300.60 | O-Ring                                    | 7   | 8-7575  | 60444   | Double pointed spacer                                   |
| 2   | 9-8402EL | 52527    | Electrode Air/N2                          | 8   | 8-7507E | 60445   | Castle shield cap assembly (including item #5, 8a, 8b)  |
| 3   | 8-7501EL | 60055/EL | Gas Distributor cutting                   | 8a  | 8-7498E | 60441   | Shield cap body (including item #5)                     |
|     | 8-7508EL | 60056/EL | Gas Distributor gouging                   | 8b  | 8-7499  | 60443   | Castle Heat shield (copper)                             |
| 4   | 9-8406   | 51298.15 | Tip 100A cutting, Air/N2 ø 1.50 - 0.059   | 8c  | 8-7497  | 60447   | Heat shield (copper)                                    |
|     | 9-7728   | 51298.14 | Tip 80A cutting, Air/N2 ø 1.39 - 0.055    | 9   | 8-7496E | 60446   | Copper shield cap assembly (including item # 5, 8a, 8c) |
|     | 8-7505   | 51298    | Tip 70A cutting, Air/N2 ø 1.32 - 0.052    |     |         | 07062TL | Hand torch, 6m - 20'                                    |
|     | 9-7726   | 51297.13 | Tip 60A cutting, Air/N2 ø 1.24 - 0.049    |     |         | 07072TL | Hand torch, 12m - 40'                                   |
|     | 8-7504   | 51297    | Tip 50A cutting, Air/N2 ø 1.17 - 0.046    | 10  |         | 07064TL | Lead assembly, 6m - 20'                                 |
|     | 8-7503   | 51296    | Tip 30/40A cutting, Air/N2 ø 0.99 - 0.039 |     |         | 07074TL | Lead assembly, 12m - 40'                                |

Rendeléshez, ajánlatkéréshez kérjük adják meg a cikkszámot vagy a gyári termékkódot.

**EUROLOK™**  
**PCM-102TL® 30-100A**



| No. | Ref.     | Code     | Description                                       | No. | Ref.    | Code    | Description  |
|-----|----------|----------|---|-----|---------|---------|--|
| 1   | 9-8403EL | 07903    | Machine torch head                                | 5   | 9-7501E | 60442   | Coil spring  |
| 1a  | 8-0532   | 07300.60 | O-Ring  | 6   | 8-7500E | 60440   | Shield cap<br>(including item #5)                          |
| 1b  |          | 07215    | Fiberglass positioning tube                       | 7   | 8-7496E | 60446   | Copper shield cap assembly<br>(including item # 5, 7a, 7b) |
| 2   | 9-8402EL | 52527    | Electrode Air/N2                                  | 7a  | 8-7498E | 60441   | Shield cap body<br>(including item #5)                     |
| 3   | 8-7501EL | 60055/EL | Gas Distributor cutting                           | 7b  | 8-7497  | 60447   | Heat shield (copper)                                       |
|     | 8-7508EL | 60056/EL | Gas Distributor gouging                           |     |         | 07082TL | Machine torch, 6m - 20'                                    |
| 4   | 9-8406   | 51298.15 | Tip 100A<br>cutting, Air/N2 $\phi$ 1.50 - 0.059   |     |         | 07092TL | Machine torch, 12m - 40'                                   |
|     | 9-7728   | 51298.14 | Tip 80A<br>cutting, Air/N2 $\phi$ 1.39 - 0.055    |     |         | 07084TL | Lead assembly, 6m - 20'                                    |
|     | 8-7505   | 51298    | Tip 70A<br>cutting, Air/N2 $\phi$ 1.32 - 0.052    |     |         | 07094TL | Lead assembly, 12m - 40'                                   |
|     | 9-7726   | 51297.13 | Tip 60A<br>cutting, Air/N2 $\phi$ 1.24 - 0.049    |     |         |         |  |
|     | 8-7504   | 51297    | Tip 50A<br>cutting, Air/N2 $\phi$ 1.17 - 0.046    |     |         |         |  |
|     | 8-7503   | 51296    | Tip 30/40A<br>cutting, Air/N2 $\phi$ 0.99 - 0.039 |     |         |         |  |
|     | 8-7506   | 51299    | Tip<br>gouging, Air/N2 $\phi$ 1.86 - 0.073        |     |         |         |  |

Rendeléshez, ajánlatkéréshez kérjük adják meg a cikkszámot vagy a gyári termékkódot.