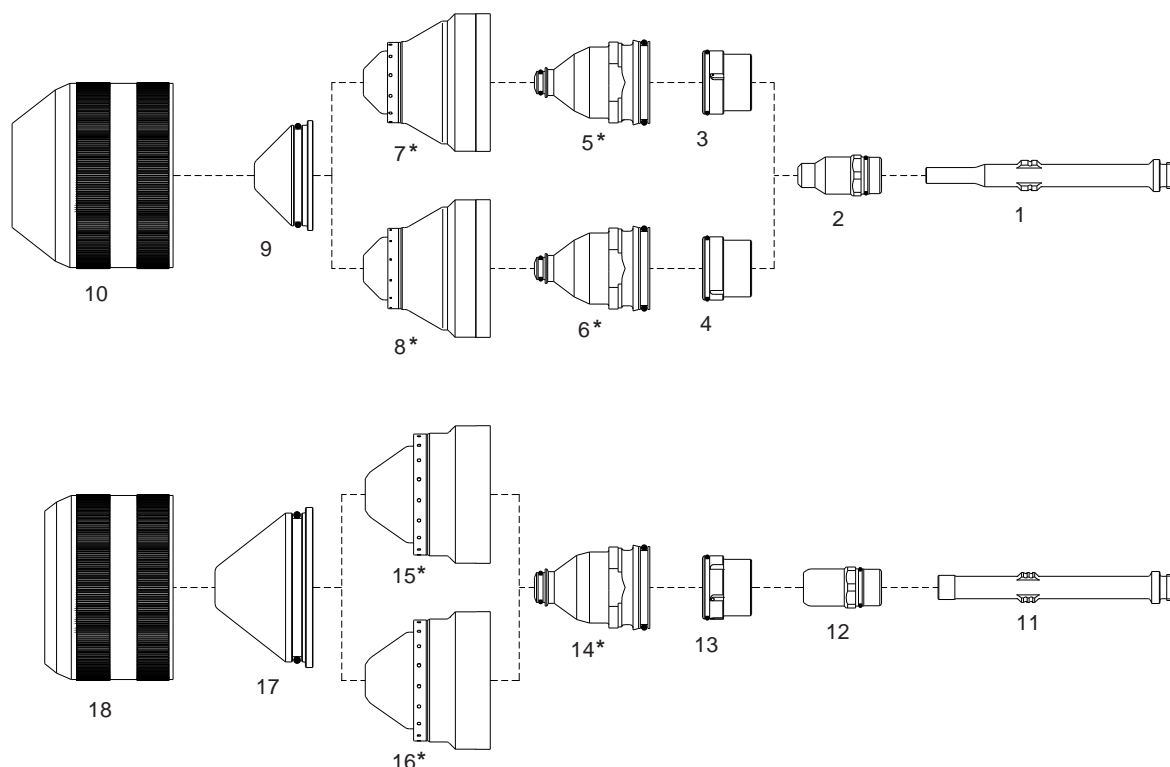


# KJELLBERG®

HiFocus 280i® / 360i® / 440i®  
 PerCut 210M® / 450M®

## MILD STEEL

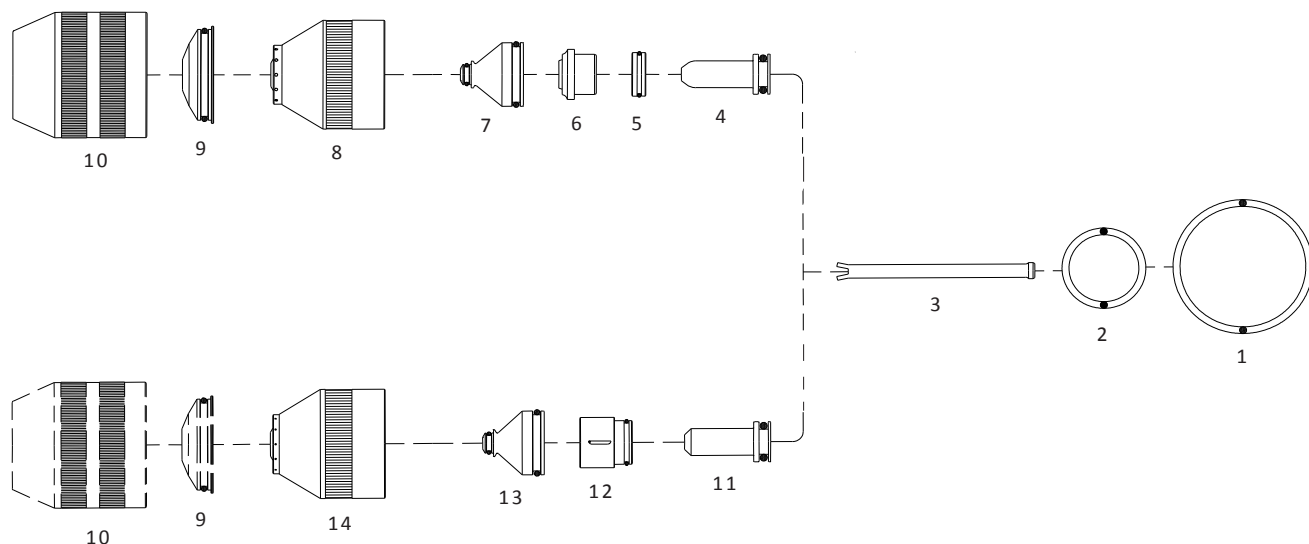
\*GYÁRITÓL ELTÉRŐ KIVITEL



No.	Ref.	Code	Description	Pkg.	No.	Ref.	Code	Description	Pkg.
1	.11.848.201.142	60635	Cooling Tube - 20/200A G901Y	1	9	.11.848.201.1520	60596.20	Shield Ø 2.0 - 35/60A G4020	5
2	.11.848.221.300	52722AG	Electrode - 20/200A G002Y <b>Silver</b>	5		.11.848.201.1522	60596.22	Shield Ø 2.2 - 130A G4022	5
3	.11.848.221.145	60072	Swirl ring - 20/35A G101	2		.11.848.201.1525	60596.25	Shield Ø 2.5 - 90A G4025	5
4	.11.848.221.146	60073	Swirl ring - 60/200A G102	2		.11.848.201.1530	60596.30	Shield Ø 3.0 - 90/200A G4030	5
5	.11.848.221.406	51640.06	Nozzle Ø 0.6 - 20A G2006Y	5	10	.11.848.201.081	60645	Shield Cap G501	1
	.11.848.221.407	51640.07	Nozzle Ø 0.7 - 35A G2007Y	5	11	.11.848.401.142	60636	Cooling Tube - 280A G931Y	1
6	.11.848.221.408	51641.08	Nozzle Ø 0.8 - 60A G2008Y	5	12	.11.848.421.310	52723AG	Electrode - 280A G032Y <b>Silver</b>	5
	.11.848.221.410	51641.10	Nozzle Ø 1.0 - 90A G2010Y	5	13	.11.848.421.145	60074	Swirl ring - 280A G121	2
	.11.848.221.412	51641.12	Nozzle Ø 1.2 - 130A G2012Y	5	14	.11.848.421.426	51643.26	Nozzle Ø 2.6 - 280A G2326Y	5
	.11.848.221.414	51641.14	Nozzle Ø 1.4 - 160A G2014Y	5	15	.11.848.401.1649	60642	Retaining cup - 280A G3249 6-25mm	1
	.11.848.221.417	51642.17	Nozzle Ø 1.7 - 200A G2017Y	5	16	.11.848.401.1619	60643	Retaining cup - 280A G3219 30-70mm	1
7	.11.848.201.1604	60640	Retaining cap - 20/35A G3004	1	17	.11.848.401.1550	60597.50	Shield Ø 5.0 - 280A G4350	2
8	.11.848.201.1628	60641	Retaining cup - 60/200A G3028	1	18	.11.848.401.081	60646	Shield Cap G521	1
9	.11.848.201.1515	60596.15	Shield Ø 1.5 - 20A G4015	5					

Rendeléskor mindenképpen adja meg a gyári termékkódot vagy a cikkszámot

**KJELLBERG®**  
**PERCUT 100®**

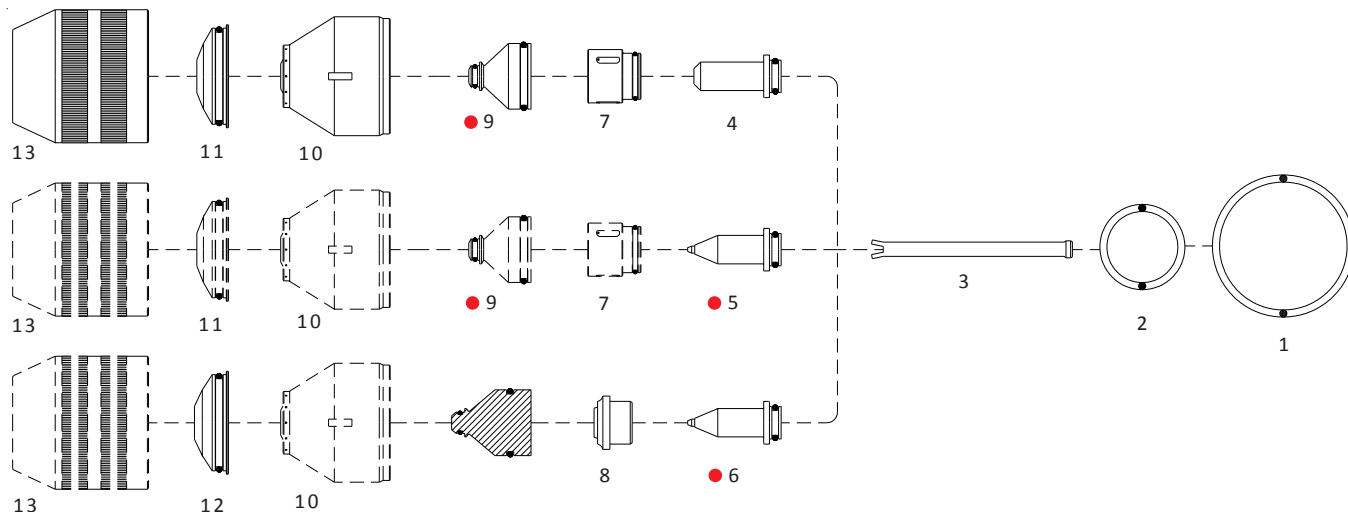


No.	Ref.	Code	Description	Pkg.	No.	Ref.	Code	Description	Pkg.
1	.10.505.946	60365.42	O-Ring Silicone	20	8	.11.835.201.162	60573	Retaining cap $\phi$ 0.8 Z3008	1
2	.10.575.052	60365.41	O-Ring Silicone	20	9	.11.835.201.1561	60565	Shield $\phi$ 1.5 Z4015	5
3	.11.835.201.152	60366C	Cooling tube	1		.11.835.201.1571	60566	Shield $\phi$ 2.0 Z4020	5
4	.11.835.421.3101	52707AG	Electrode O <sub>2</sub> XL Z012 <b>Silver</b>	5		.11.835.201.1581	60566.25	Shield $\phi$ 2.5 Z4025	5
5	.11.835.421.303	60064	Spacer <b>Max Life</b> Z111A	5		.11.835.201.1591	60566.30	Shield $\phi$ 3.0 Z4030	5
6	.11.828.001.153	60066	Swirl ring <b>Max Life</b> Z111	2		.11.835.401.1571	60567	Shield $\phi$ 4.0 Z4140	5
7	.11.835.221.406	51620.06	Nozzle $\phi$ 0.6 O <sub>2</sub> Z2006	5	10	.11.835.201.081	60561	Shield cap Z501	1
	.11.835.221.407	51620.07	Nozzle $\phi$ 0.7 O <sub>2</sub> Z2007	5	11	.11.835.221.3101	52706AG	Electrode O <sub>2</sub> XL Z002 <b>Silver</b>	5
	.11.835.221.408	51620.08	Nozzle $\phi$ 0.8 O <sub>2</sub> Z2008	5	12	.11.835.221.153	60065	Swirl ring Z101	2
	.11.835.221.409	51620.09	Nozzle $\phi$ 0.9 O <sub>2</sub> Z2009	5	13	.11.835.421.412	51621.12	Nozzle $\phi$ 1.2 O <sub>2</sub> Z2112	5
	.11.835.221.410	51620.10	Nozzle $\phi$ 1.0 O <sub>2</sub> Z2010	5		.11.835.421.414	51621.14	Nozzle $\phi$ 1.4 O <sub>2</sub> Z2114	5
	.11.835.221.411	51620.11	Nozzle $\phi$ 1.1 O <sub>2</sub> Z2011	5	14	.11.835.201.160	60572	Retaining cap $\phi$ 0.4 Z3004	1
	.11.835.221.412	51620.12	Nozzle $\phi$ 1.2 O <sub>2</sub> Z2012	5					

Rendeléskor mindenképpen adja meg a gyári termékkódot vagy a cikkszámot

**KJELLBERG®**  
**PERCUT 160i®**  
**HIFOCUS 160i®**

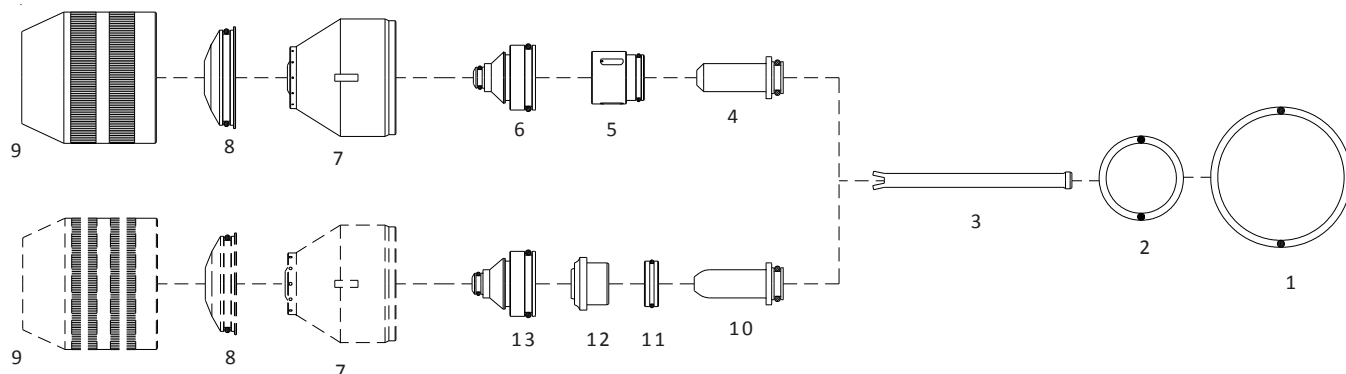
● Szabadalmi okokból kifolyólag a megjelölt tartozék Németországban nem forgalmazható. A SYRIUS-WELD Kft. nem vállal felelősséget azért, ha partnerei Németországban értékesítik a termékeket.



No.	Ref.	Code	Description	Pkg.	No.	Ref.	Code	Description	Pkg.
1	.10.505.946	60365.42	O-Ring Silicone	20	9	.11.842.421.414	51622.14	● Nozzle $\phi$ 1.4 - 130A S2014	5
2	.10.575.052	60365.41	O-Ring Silicone	20		.11.842.421.416	51622.16	● Nozzle $\phi$ 1.6 - 160A S2016	5
3	.11.842.401.152	60579	Cooling tube S901	1	10	.11.842.401.160	60580	Retaining cap $\phi$ 0.4 S3004	1
4	.11.842.421.310	52711AG	Electrode O <sub>2</sub> XL S002 Silver	5		.11.842.401.162	60581	Retaining cap $\phi$ 0.8 S3008	1
5	.11.842.411.510	52713W	● Electrode A S042	5		.11.842.401.1622	60582	Retaining cap $\phi$ 0.8 S3028	1
6	.11.842.511.510	52714W	● Electrode A S052	5	11	.11.835.201.1561	60565	Shield $\phi$ 1.5 Z4015	5
7	.11.835.221.153	60065	Swirl ring Max Life Z101	2		.11.835.201.1571	60566	Shield $\phi$ 2.0 Z4020	5
	.11.835.221.154	60068	Swirl ring Max Life Z102	2		.11.835.201.1551	60566.22	Shield $\phi$ 2.2 Z4022	5
8	.11.834.321.153	60066	Swirl ring Max Life Z111	2		.11.835.201.1581	60566.25	Shield $\phi$ 2.5 Z4025	5
9	.11.842.421.406	51622.06	● Nozzle $\phi$ 0.6 - 25A S2006	5		.11.835.201.1591	60566.30	Shield $\phi$ 3.0 Z4030	5
	.11.842.421.407	51622.07	● Nozzle $\phi$ 0.7 - 35A S2007	5		.11.835.401.1571	60567	Shield $\phi$ 4.0 Z4140	5
	.11.842.421.408	51622.08	● Nozzle $\phi$ 0.8 - 50A S2008	5	12	.11.835.411.1581	60568.30	Shield $\phi$ 3.0 Z4530	5
	.11.842.421.409	51622.09	● Nozzle $\phi$ 0.9 - 70A S2009	5		.11.835.411.1580	60568.35	Shield $\phi$ 3.5 Z4535	5
	.11.842.421.410	51622.10	● Nozzle $\phi$ 1.0 - 80A S2010	5		.11.835.411.1591	60568.40	Shield $\phi$ 4.0 Z4540	5
	.11.842.421.411	51622.11	● Nozzle $\phi$ 1.1 - 90A S2011	5		.11.835.411.1590	60568.45	Shield $\phi$ 4.5 Z4545	5
	.11.842.421.412	51622.12	● Nozzle $\phi$ 1.2 - 100A S2012	5	13	.11.835.201.081	60561	Shield cap Z501	1

Rendeléskor mindenképpen adja meg a gyári termékkódot vagy a cikkszámot

**KJELLBERG®**  
**PERCUT 160/170®**



No.	Ref.	Code	Description	Pkg.	No.	Ref.	Code	Description	Pkg.
1	.10.505.946	60365.42	O-Ring Silicone	20	7	.11.842.401.160	60580	Retaining cap $\phi$ 0.4 S3004	1
2	.10.575.052	60365.41	O-Ring Silicone	20		.11.842.401.162	60581	Retaining cap $\phi$ 0.8 S3008	1
3	.11.842.401.152	60579	Cooling tube S901	1		.11.842.401.1622	60582	Retaining cap $\phi$ 0.8 S3028	1
4	.11.843.021.310	52716AG	Electrode O <sub>2</sub> XL S002X <b>Silver</b>	5	8	.11.835.201.1561	60565	Shield $\phi$ 1.5 Z4015	5
	.11.843.021.320	52718AG	Electrode O <sub>2</sub> XL S002Y <b>Silver</b>	5		.11.835.201.1571	60566	Shield $\phi$ 2.0 Z4020	5
5	.11.835.221.153	60065	Swirl ring 3 holes - Max Life Z101	2		.11.835.201.1551	60566.22	Shield $\phi$ 2.2 Z4022	5
	.11.835.221.154	60068	Swirl ring 2 holes - Max Life Z102	2		.11.835.201.1581	60566.25	Shield $\phi$ 2.5 Z4025	5
6	.11.843.021.406	51625.06	Nozzle $\phi$ 0.6 - 25A S2006X	5		.11.835.201.1591	60566.30	Shield $\phi$ 3.0 Z4030	5
	.11.843.021.407	51625.07	Nozzle $\phi$ 0.7 - 35A S2007X	5		.11.835.401.1571	60567	Shield $\phi$ 4.0 Z4140	5
	.11.843.021.408	51625.08	Nozzle $\phi$ 0.8 - 50/60A S2008X	5	9	.11.835.201.081	60561	Shield cap Z501	1
	.11.843.021.409	51625.09	Nozzle $\phi$ 0.9 - 70/80A S2009X	5	10	.11.843.121.310	52717AG	Electrode O <sub>2</sub> XL S012X <b>Silver</b>	5
	.11.843.021.410	51625.10	Nozzle $\phi$ 1.0 - 80/90A S2010X	5	11	.11.835.421.303	60064	Spacer Max Life Z111A	5
	.11.843.021.411	51625.11	Nozzle $\phi$ 1.1 - 90/100A S2011X	5	12	.11.834.321.153	60066	Swirl ring Max Life Z111	2
	.11.843.021.412	51625.12	Nozzle $\phi$ 1.2 - 100/130A S2012X	5	13	.11.843.121.412	51626.12	Nozzle $\phi$ 1.2 - 100A S2112X	5
	.11.843.021.414	51625.14	Nozzle $\phi$ 1.4 - 130/160A S2014X	5		.11.843.121.414	51626.14	Nozzle $\phi$ 1.4 - 130A S2114X	5
	.11.843.021.416	51625.16	Nozzle $\phi$ 1.6 - 160A S2016X 7	5		.11.843.121.416	51626.16	Nozzle $\phi$ 1.6 - 160A S2116X	5

# KJELLBERG®

PA-50®

PA-S75®

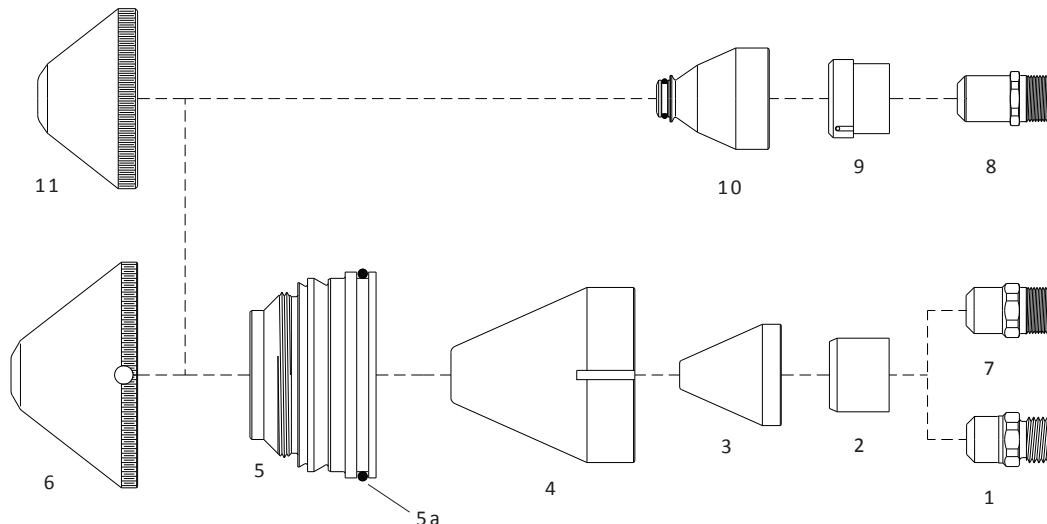
PA-S76®

PB-S77®

FINEFOCUS 800®

FINEFOCUS 900®

FINEFOCUS 1600®

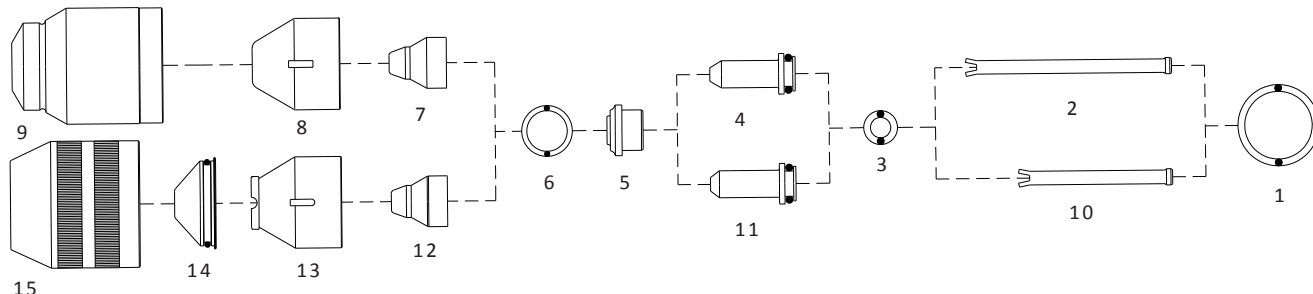


No.	Ref.	Code	Description	Pkg.	No.	Ref.	Code	Description	Pkg.
1	.12.40870	52700XF	Electrode K2		6	.11.833.101.158	60595.50	Shield cap ø 5.0	
			Air	5				V4350	5
	.11.828.921.300	52700AG	Electrode K2 - XL			.11.833.101.159	60595.60	Shield cap ø 6.0	
			<b>Silver</b>	5				V4360	5
2	.12.40860	60067	Swirl ring Teflon		7		52702AG	Electrode K3	
			V101	2				XL <b>Silver</b>	5
	.12.40860	60067/V	Swirl ring Max Life		8	.11.836.921.300	52703AG	Electrode	
			V101	2				T012 <b>Silver</b>	5
3	.11.828.901.414	51306XF	Nozzle L3		9	.11.836.921.154	60069	Swirl ring	
			XL O <sub>2</sub> 120A	5				T102 Teflon	2
	.11.828.901.420	51307XF	Nozzle L1			.11.836.921.153	60070	Swirl ring	
			XL O <sub>2</sub> 160A	5				T101 Teflon	2
	.11.828.901.425	51308XF	Nozzle L2		10	.11.836.921.420	51303	Nozzle - 200A	
			XL O <sub>2</sub> 250A	5				T2120	5
4	.12.37790	60364	Conical retaining cap ø 38			.11.836.921.425	51304	Nozzle - 250A	
			V3000	1				T2125	5
5	.11.833.101.271	60590	Nozzle fiberglass			.11.836.921.427	51305	Nozzle - 300A	
			V521	1				T2127	5
5a	.10.505.961	60590.41	O-Ring Silicone	10	11	.11.833.111.155	60594.30	Shield cap ø 3.0	
								V4530	5
6	.11.833.101.150	60595.30	Shield cap ø 3.0			.11.833.111.156	60594.40	Shield cap ø 4.0	
			V4330	5				V4540	5
	.11.833.101.155	60595.35	Shield cap ø 3.5				60594.45	Shield cap ø 4.5	
			V4335	5				V4545	5
	.11.833.101.156	60595.40	Shield cap ø 4.0			.11.833.111.158	60594.50	Shield cap ø 5.0	
			V4340	5				V4550	5
	.11.833.101.157	60595.45	Shield cap ø 4.5			.11.833.111.159	60564.60	Shield cap ø 6.0	
			V4345	5				V4560	5

Rendeléskor mindenképpen adja meg a gyári termékkódot vagy a cikkszámot

## KJELLBERG®

PA-S47CNC® - FineFocus 450®  
 PB-S20W/WH® PB-S25W/WH®  
 PB-S40W/WH® PB-S45W/WH®  
 PB-S45W/WH-1®  
 PZ-S45W®



No.	Ref.	Code	Description	Pkg.	No.	Ref.	Code	Description	Pkg.
1	.10.575.052	60365.41	O-Ring Silicone	20	10	.11.828.001.152	60366	Cooling tube	1
2	.11.832.201.152	60366B	Cooling tube		11	.11.834.321.3001	52708AG	Electrode Kb - XI <b>Silver</b>	5
			W901	1	12	.11.834.321.410	51656.10	Nozzle Lle - XI ø 1.0, O <sub>2</sub>	5
3	.10.505.827	20705.40	O-Ring Silicone	20		.11.834.321.413	51657.13	Nozzle Lde - XI ø 1.3, O <sub>2</sub>	5
4	.11.828.001.3001	52705	Electrode Kb, Air, XF	5		.11.834.321.414	51657.14	Nozzle Lee - XI ø 1.4, O <sub>2</sub>	5
5	.11.828.001.153	60066	Swirl ring Max Life		13	.11.832.201.160	60570	Retaining cap	
			Z111	2				W3030	1
6	.10.575.036	60066.41	O-Ring Silicone	20	14	.11.832.201.1571	60562	Shield ø 4.0	
7	.11.828.203.410	51594	Nozzle Lle ø 1.0 - Air	5				W4140	5
	.11.828.203.413	51595	Nozzle Lde ø 1.3 - Air	5		.11.832.201.1561	60562.30	Shield ø 3.0	
	.11.828.203.414	51596	Nozzle Lee ø 1.4 - Air	5				W4130	5
8	.11.830.301.151	60357	Retaining cap ø 9.6	5	15	.11.832.201.081	60560	Shield cap	
9	.11.828.101.160	60359	Shield cap	1				W501	5

### Notes

---



---



---



---



---



---



---



---



---



---