

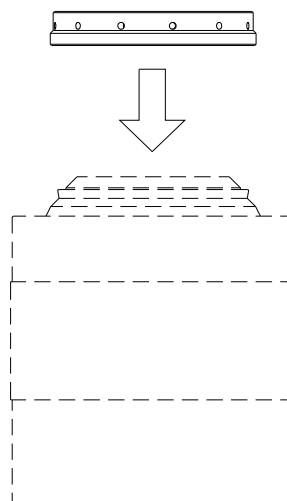
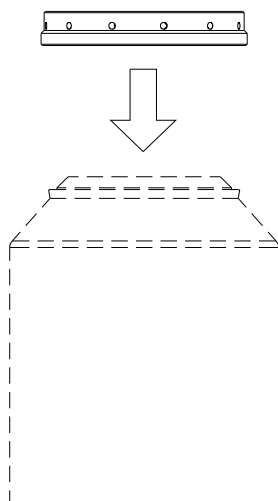
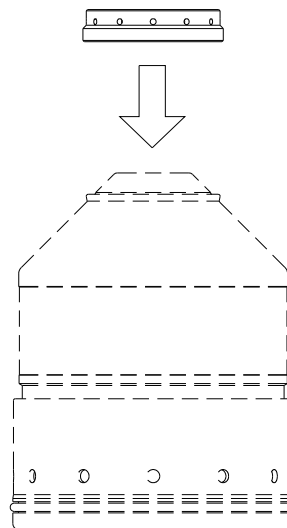
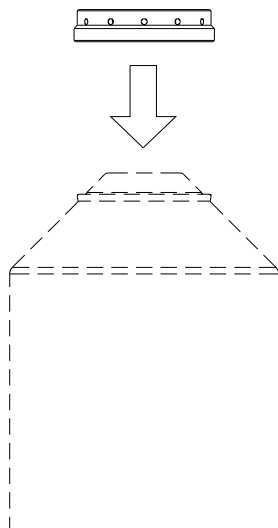
# HYPERTHERM®

HPR-130/260®

HPR-130/260 XD®

## RING for RETAINING CAPS

### MILD STEEL



HPR-130/260®

HPR-130/260XD®

**FIGYELEM: A GYŰRŰ LEGYEN KONCENTRIKUS A VÉDŐFEJSEL**

Ref.	Code	Description	Pkg.	Ref.	Code	Description	Pkg.
220313	60150	Ring for retaining cap 30/50A	2	220754	60150	Ring for retaining cap 30/50A	2
220176	60151	Ring for retaining cap 80/130A	2	220756	60151	Ring for retaining cap 80/130A	2
220355	60152	Ring for retaining cap 200A	2	220757	60152	Ring for retaining cap 200A	2
220433	60153	Ring for retaining cap 260A	2	220760	60153	Ring for retaining cap 260A	2

Rendeléskor mindenképpen adja meg a gyári termékkódot vagy a cikkszámot

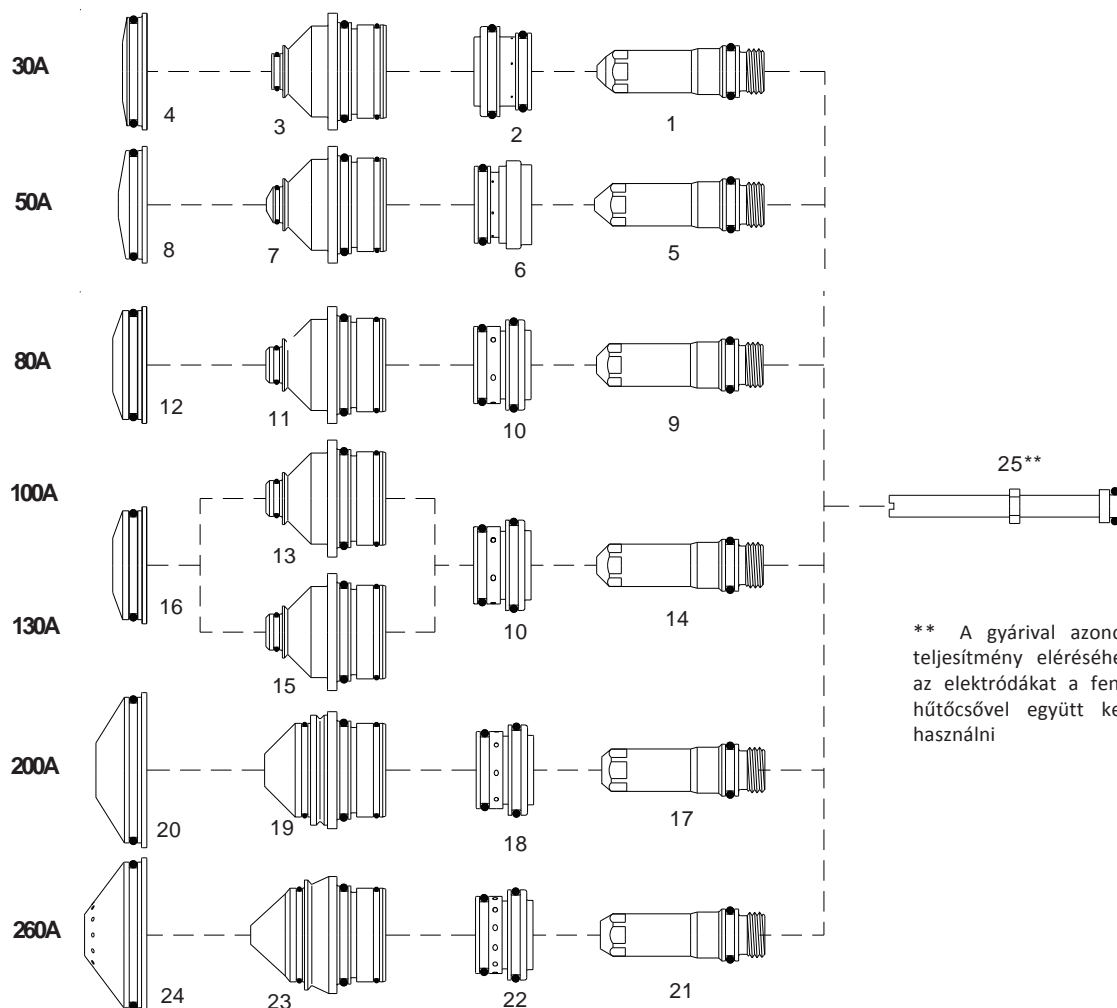
# HYPERTHERM®

HPR-130/260®

HPR-130/260 XD®

Upgrade HD3070®

## MILD STEEL



\*\* A gyárral azonos teljesítmény eléréséhez az elektródákat a fenti hűtőcsővel együtt kell használni

Használja a gyári vágási táblázatot

No.	Ref.	Code	Description	Pkg.	No.	Ref.	Code	Description	Pkg.
1	220192TD	52741	Electrode 30A	10	14	220181TD	52745	Electrode 130A	10
2	220180	60140	Swirl Ring 30A Max Life	1		220181TD	52745BM	Electrode 130A <b>BiMetal</b>	10
3	220193	51729	Nozzle 30A	5	15	220182	51732	Nozzle 130A	5
4	220194	60741	Shield 30A	1	16	220183	60745	Shield 130A	1
5	220552TD	52742	Electrode 50A	10	17	220352TD	52746	Electrode 200A	10
6	220553	60141	Swirl Ring 50A Max Life	1		220352TD	52746BM	Electrode 200A <b>BiMetal</b>	10
7	220554	51730	Nozzle 50A	5	18	220353	60143	Swirl Ring 200A Max Life	1
8	220555	60742	Shield 50A	1	19	220354	51733	Nozzle 200A	5
9	220187TD	52743	Electrode 80A	10	20	220356	60746	Shield 200A (no XD)	1
10	220179	60142	Swirl Ring 80/130A Max Life	1	21	220435TD	52747	Electrode 260A	10
11	220188	51731	Nozzle 80A	5		220435TD	52747BM	Electrode 260A <b>BiMetal</b>	10
12	220189	60743	Shield 80A	1	22	220436	60144	Swirl Ring 260A Max Life	1
13	220510	51735	Nozzle 100A	5	23	220439	51734	Nozzle 260A	5
					24	220440	60747	Shield 260A (no XD)	1
					25	220340TD	60740**	Water cooling tube	1

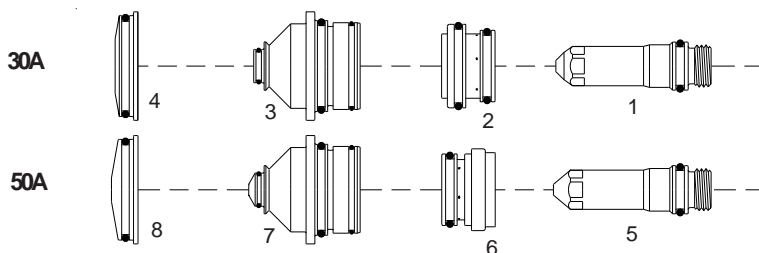
Rendeléskor mindenképpen adja meg a gyári termékkódot vagy a cikkszámot

# HYPERTHERM®

HPR-130/260®  
 HPR-130/260 XD®  
 Upgrade HD3070®

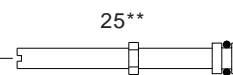
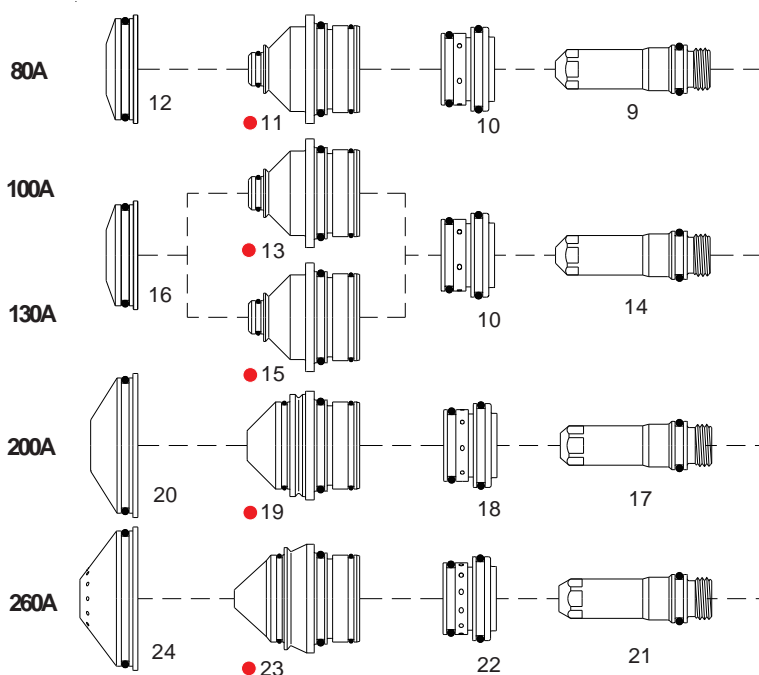
## GYÁRITÓL ELTÉRŐ KIVITEL

### SINGLE NOZZLES



A gyári vágási  
 táblázatot használja

### MILD STEEL



\*\* A gyárral azonos teljesítmény eléréséhez az elektródákat a fenti hűtőcsővel együtt kell használni

● CSAK manuális gázkonzollal szabad használni.

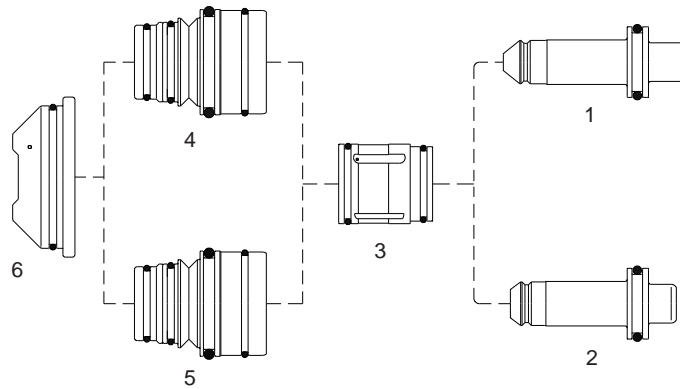
“MILD STEEL Air/O<sub>2</sub>”: a gyári vágási táblázathoz képest 20%-kal kevesebb gázátfolyást állítson.

No.	Ref.	Code	Description	Pkg.	No.	Ref.	Code	Description	Pkg.
1	220192TD	52741	Electrode 30A	10	14	220181TD	52745	Electrode 130A	10
2	220180	60140	Swirl Ring 30A Max Life	1		220181TD	52745BM	Electrode 130A <b>BiMetal</b>	10
3	220193TD	51741	Nozzle 30A	5	15	220182TD	51745	Nozzle 130A	5
4	220194	60741	Shield 30A	1	16	220183	60745	Shield 130A	1
5	220552TD	52742	Electrode 50A	10	17	220352TD	52746	Electrode 200A	10
6	220553	60141	Swirl Ring 50A Max Life	1		220352TD	52746BM	Electrode 200A <b>BiMetal</b>	10
7	220554TD	51742	Nozzle 50A	5	18	220353	60143	Swirl Ring 200A Max Life	1
8	220555	60742	Shield 50A	1	19	220354TD	51746	Nozzle 200A	5
9	220187TD	52743	Electrode 80A	10	20	220356	60746	Shield 200A (no XD)	1
10	220179	60142	Swirl Ring 80/130A Max Life	1	21	220435TD	52747	Electrode 260A	10
11	220188TD	51743	Nozzle 80A	5		220435TD	52747BM	Electrode 260A <b>BiMetal</b>	10
12	220189	60743	Shield 80A	1	22	220436	60144	Swirl Ring 260A Max Life	1
13	220510TD	51744	Nozzle 100A	5	23	220439TD	51747	Nozzle 260A	5
					24	220440	60747	Shield 260A (no XD)	1
					25	220340TD	60740**	Water cooling tube	1

# HYPERTHERM®

HD1070® HD3070®  
 70/100A - Mild steel

A gyárral nem felcserélhető alkatrészek



vágási táblázatot ld alább

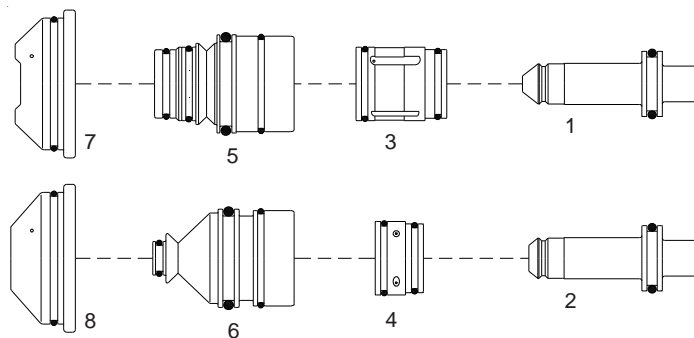
No.	Ref.	Code	Description	Pkg.	No.	Ref.	Code	Description	Pkg.
1	120112A	52627	Electrode 70A	10	4	020647A	51391	Tip 70A	5
2	120410A	52628	Electrode 100A	10	5	120272A	51390	Tip 100A	5
3	020789A	60048	Swirl ring 70-100A	1	6	020796A	51937	Shield 70-100A	1

## Vágási táblázat HYPERTHERM® HD3070® LÁGYACÉL, 70A. O<sub>2</sub> PLASMA, O<sub>2</sub> és N<sub>2</sub> védőgáz

AMPS	Metal Thickness		Test Cut Flowrates (%)			Test Preflow Flowrates (%)		Arc Voltage (volts)	Travel Speed		Torch Standoff		Initial Height		Pierce Delay	
	Gauge	In.	mm	O <sub>2</sub> (1)	N <sub>2</sub> (2)	O <sub>2</sub> (3)	O <sub>2</sub> (4)		N <sub>2</sub> (5)	lpm	m/min	In.	mm	In.		mm
70	16	0.060	1.5	0	100	25	5	75	107	280	7.10	0.060	1.5	0.100	2.5	0
70	14	0.075	1.9	0	100	25	5	75	107	230	5.84	0.060	1.5	0.100	2.5	0
70	12	0.105	2.7	0	100	25	5	75	109	185	4.70	0.080	2.0	0.120	3.0	0
70	10	0.135	3.4	0	100	25	5	75	114	150	3.81	0.080	2.0	0.120	3.0	.1
70		3/16	4.8	0	100	25	5	75	120	120	3.05	0.080	2.0	0.120	3.0	.1
100		1/4	6.4	35	90	60	10	100	141	135	3.40	0.125	3.2	0.300	7.6	.2
100		5/16	7.9	35	90	60	10	100	143	110	2.79	0.125	3.2	0.300	7.6	.2
100		3/8	9.5	35	90	60	10	100	145	95	2.41	0.125	3.2	0.300	7.6	.3
100		7/16	11.1	35	90	60	10	100	146	80	2.03	0.125	3.2	0.300	7.6	.5
100		1/2	12.7	35	90	60	10	100	147	56	1.42	0.125	3.2	0.300	7.6	.5
100		9/16	14.3	35	90	60	10	100	148	48	1.22	0.125	3.2	0.300	7.6	.7
100		5/8	15.9	35	90	65	10	100	165	30	0.76	0.210	5.4	0.350	8.9	1.0
100		3/4	19.05	35	90	65	10	100	167	28	0.71	.210	5.4	0.350	8.9	1.0
100		1	25.4	35	90	70	10	100	170	17	0.43	.230	5.9	0.350	8.9	1.3

# HYPERTHERM®

HD1070® HD3070®

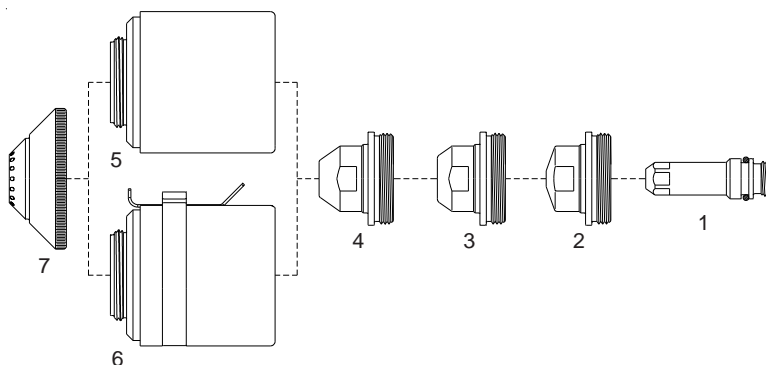


No.	Ref.	Code	Description	Pkg.	No.	Ref.	Code	Description	Pkg.
1	120112	52622	Electrode 70A	10	5	020647	51397	Tip 70A	5
2	120410	52623	Electrode 100A	10	6	120272	51398	Tip 100A	5
3	020789	60048	Swirl ring 70A	1	7	020796	51937	Shield 70A	1
4	020637	60049	Swirl ring 100A	1	8	120273	51938	Shield 100A	1

Rendeléskor mindenképpen adja meg a gyári termékkódot vagy a cikkszámot

## HYPERTHERM®

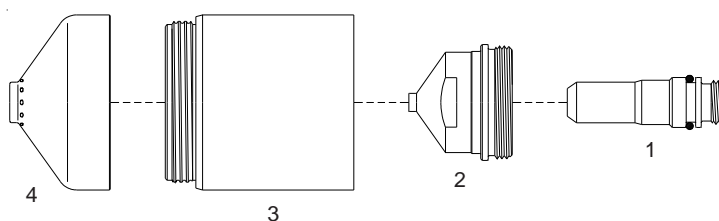
MAX 200® PAC200T/E®  
 HT-2000®



No.	Ref.	Code	Description	Pkg.	No.	Ref.	Code	Description	Pkg.
1	120547	52619	Electrode, O <sub>2</sub> , Air, 100A	10	4	020690	51319	Nozzle .055, O <sub>2</sub> , 100A (HT-2000®)	5
	120667	52620/TD	Electrode, O <sub>2</sub> , Air, 200A (replaces 020664 and 020414)	10		020605	51320	Nozzle .082, O <sub>2</sub> , 200A	5
	120667	52620BM	Electrode, O <sub>2</sub> , Air, 200A <b>BiMetal</b> (replaces 020664 and 020414)	10		020608	51321	Nozzle .086, Air, N <sub>2</sub> , Ar/H, 200A	5
	020415	52620W/TD	Electrode, Ar/H, 200A	5	5	020423	60306	Retaining cap	1
2	020689	51324/TD	Nozzle .038Air, 40A	5	6	120837	60306H	Retaining cap, <b>OHMIC</b>	1
3	020611	51322/TD	Nozzle .059, Air, N <sub>2</sub> , Ar/H, 100A	5	7	020448	51932	Shield, Air, N <sub>2</sub> , Ar/H, 100A	1
	020616	51323/TD	Nozzle .055, O <sub>2</sub> , 100A (MAX200®)	5		020424	51933	Shield, O <sub>2</sub> /Air, N <sub>2</sub> , Ar/H, 200A	1

## HYPERTHERM®

HYSPEED® HT-2000®



No.	Ref.	Code	Description	Pkg.	No.	Ref.	Code	Description	Pkg.
1	220235	52618/TD	Electrode 200A O <sub>2</sub>	10	3	220238	60308	Retaining cap 200A O <sub>2</sub>	1
	220235	52618BM	Electrode 200A O <sub>2</sub> <b>BiMetal</b>	10	4	220239	51934	Shield cap 200A O <sub>2</sub>	1
2	220237	51326	Nozzle 200A O <sub>2</sub>	5					

### Notes

---



---



---