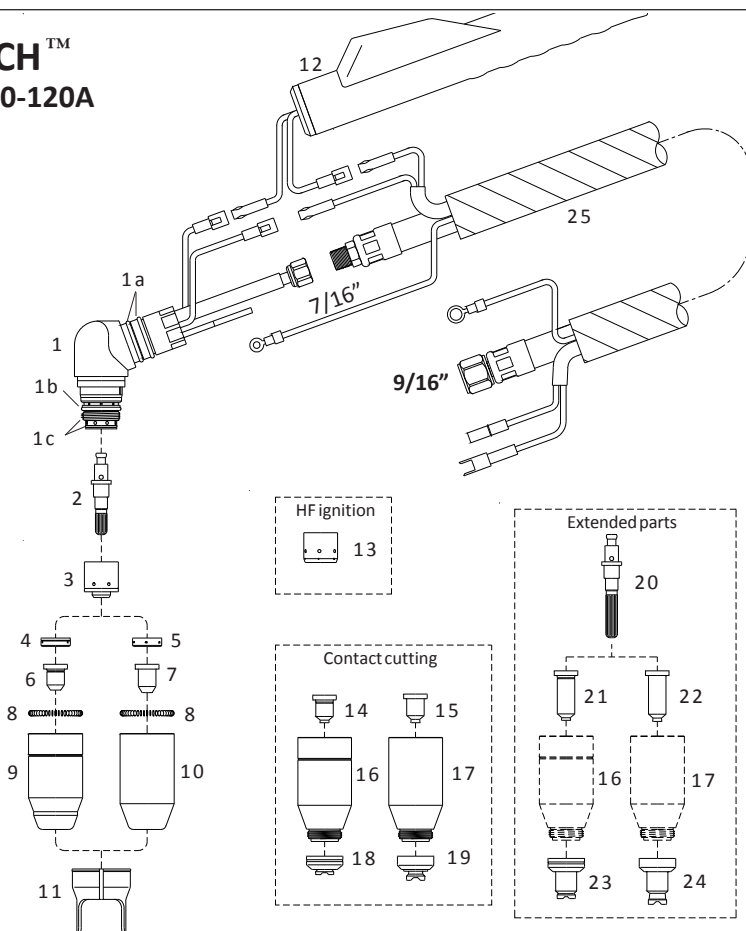


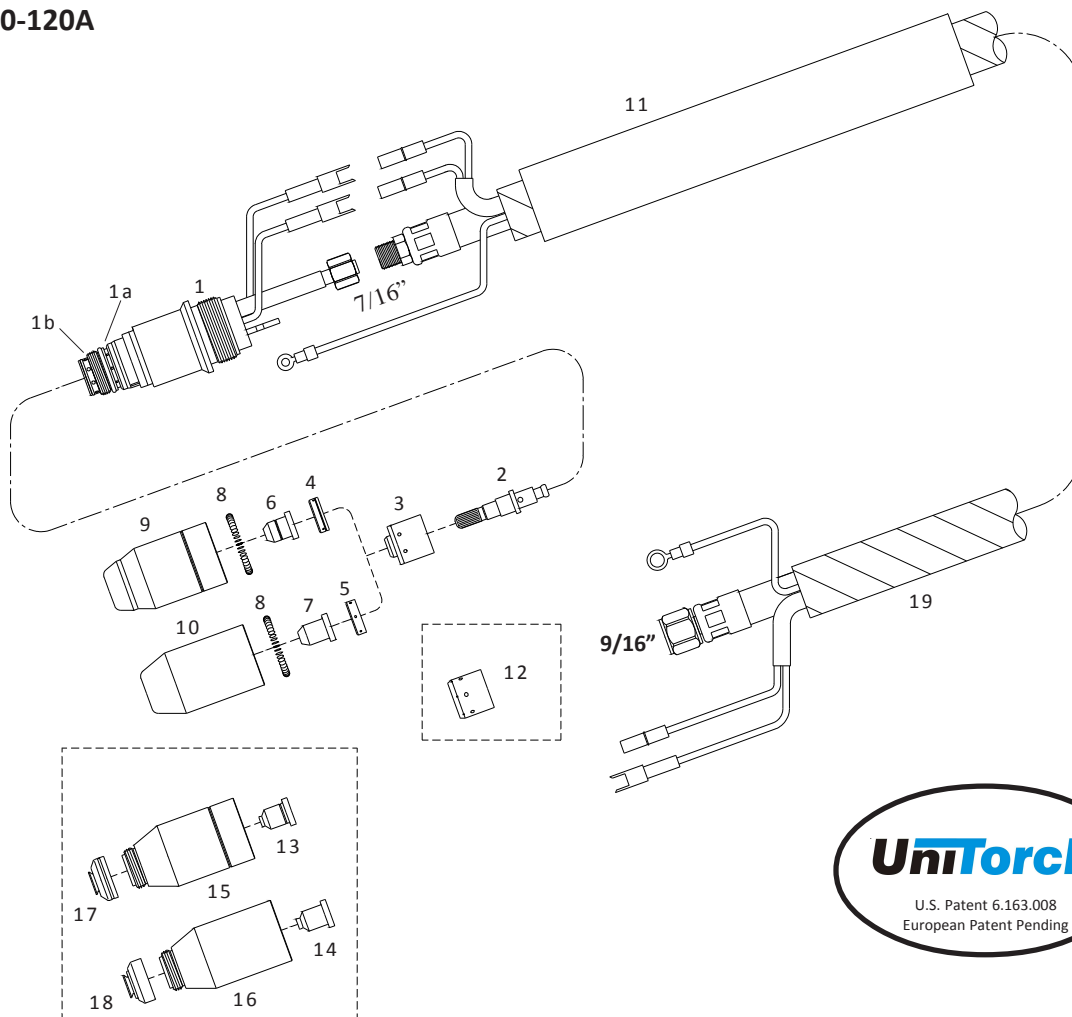
**UNITORCH™**  
**EL-120™ 30-120A**



**Torches are supplied with  
 Non-High Frequency parts**

No.	Code	Description	No.	Code	Description
1	07920	Torch head	15	51484	Contact tip Air/N2 60A
1a	07100.53	O-Ring		51485	Contact tip Air/N2 70A
1b	07300.60	O-Ring		51486	Contact tip Air/N2 80A
1c	07920.60	O-Ring		51487	Contact tip Air/N2 90/100A
2	52600	Electrode, Air/N2		51488	Contact tip Air/N2 120A
3	07923	Start cartridge 30/120A	16	60482	Shield cap body 30/60A
4	60060	Gas distributor 30/60A		60482/S	Shield cap body Max Life 30/60A
5	60061	Gas distributor 60/120A	17	60483	Shield cap body 60/120A
6	51470	Tip cutting Air/N2 30A		60483/S	Shield cap body Max Life 60/120A
	51471	Tip cutting Air/N2 40A	18	60485	Shield cap hand 30/60A
	51472	Tip cutting Air/N2 50/60A	19	60486	Shield cap hand 60/120A
7	51474	Tip cutting Air/N2 60A	20	52603	Extended electrode Air/N2
	51475	Tip cutting Air/N2 70A	21	51490	Extended contact tip Air/N2 30A
	51476	Tip cutting Air/N2 80A		51491	Extended contact tip Air/N2 40A
	51477	Tip cutting Air/N2 90/100A		51492	Extended contact tip Air/N2 50/60A
	51478	Tip cutting Air/N2 120A	22	51493	Extended contact tip Air/N2 60A
8	60442	Coil spring		51494	Extended contact tip Air/N2 70A
9	60480	Shield cap 30/60A		51495	Extended contact tip Air/N2 80A
	60480/S	Shield cap Max Life 30/60A		51496	Extended contact tip Air/N2 90/100A
10	60481	Shield cap 60/120A		51497	Extended contact tip Air/N2 120A
	60481/S	Shield cap Max Life 60/120A	23	60490	Extended shield cap Hand 30/60A
11	60444	Double pointed spacer	24	60491	Extended shield cap Hand 60/120A
12	07106E	Handle with microswitch		09000	Hand torch, 6m - 20'
13	07924	Insulator High Frequency 30/120A		09010	Hand torch, 12m - 40'
14	51480	Contact tip Air/N2 30A	25	09080	Lead assembly 6m - 20'
	51481	Contact tip Air/N2 40A		09085	Lead assembly 12m - 40'
	51482	Contact tip Air/N2 50/60A			

**UNITORCH™**  
**EL-120™ 30-120A**



Torches are supplied with Non-High Frequency parts

No.	Code	Description	No.	Code	Description
1	07921	Torch head	11	07215	Fiberglass positioning tube
1a	07300.60	O-Ring	12	07924	Insulator High Frequency 30/120A
1b	07920.60	O-Ring	13	51480	Contact tip Air/N2 30A
2	52600	Electrode, Air/N2		51481	Contact tip Air/N2 40A
3	07923	Start cartridge 30/120A		51482	Contact tip Air/N2 50/60A
4	60060	Gas distributor 30/60A	14	51484	Contact tip Air/N2 60A
5	60061	Gas distributor 60/120A		51485	Contact tip Air/N2 70A
6	51470	Tip cutting Air/N2 30A		51486	Contact tip Air/N2 80A
	51471	Tip cutting Air/N2 40A		51487	Contact tip Air/N2 90/100A
	51472	Tip cutting Air/N2 50/60A		51488	Contact tip Air/N2 120A
7	51474	Tip cutting Air/N2 60A	15	60482	Shield cap body 30/60A
	51475	Tip cutting Air/N2 70A		60482/S	Shield cap body 30/60A Max Life
	51476	Tip cutting Air/N2 80A	16	60483	Shield cap body 60/120A
	51477	Tip cutting Air/N2 90/100A		60483/S	Shield cap body 60/120A Max Life
	51478	Tip cutting Air/N2 120A	17	60487	Shield cap machine 30/60A
8	60442	Coil spring	18	60488	Shield cap machine 60/120A
9	60480	Shield cap 30/60A		09020	Machine torch, 6m - 20'
	60480/S	Shield cap 30/60A Max Life		09030	Machine torch, 12m - 40'
10	60481	Shield cap 60/120A	19	09090	Lead assembly 6m - 20'
	60481/S	Shield cap 60/120A Max Life		09095	Lead assembly 12m - 40'

Rendeléshez, ajánlatkéréshez kérjük adják meg a cikkszámot vagy a gyári termékódot.