

SYRIUS®

Az új plazmapisztoly-sorozat HF gyújtás nélkül

RPT pisztolyok **HYPERTHERM®** rendszerű, HF nélküli
plazmavágó áramforrásokhoz

MAX 40CS®
MAX 42®
MAX 43®
MAX 43CS®
POWERMAX® 600
POWERMAX® 800
POWERMAX® 900



ST-120HY
STM-120HY

POWERMAX® 1000
POWERMAX® 1250
POWERMAX® 1650



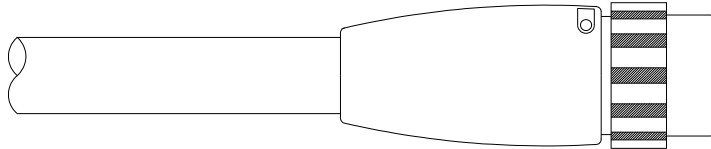
● **Jobb teljesítmény**

● **Tisztább vágás**

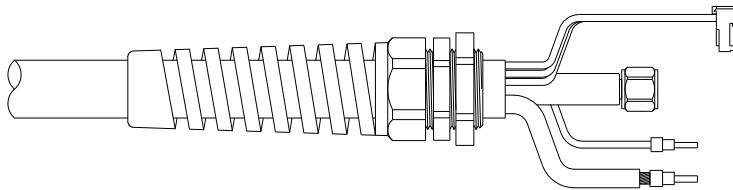
● **Gyorsabb munka**

RPT pisztolyok HYPER THERM[®] rendszerű, HF nélküli plazmavágó áramforrásokhoz

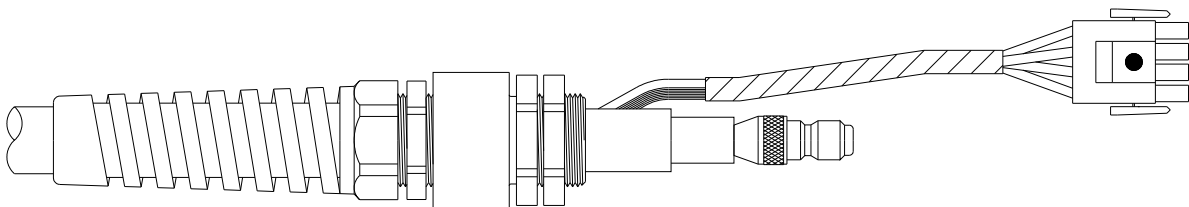
Type A MAX 40CS[®] / 42[®] / 43[®] / 43CS[®] - Powermax[®] 600/800/900



Type B Powermax[®] 600 központi csatlakozó nélkül



Type C Powermax[®] 1000 / 1250 / 1650



ÚJ
koaxiális kábel

RPT pisztolyok HYPER THERM ® rendszerű, HF nélküli plazmavágó áramforrásokhoz

Type A MAX 40CS® / 42® / 43® / 43CS® - Powermax® 600/800/900

Catalog #	Description
03818CX-HY	ST-120 Hand Torch, 7.5m (25 ft) Leads,
03823CX-HY	ST-120 Hand Torch, 15m (50 ft) Leads,
09880CX-HY	Lead Assembly, hand, 7.5m (25 ft) Length,
09885CX-HY	Lead Assembly, hand, 15m (50 ft) Length,
03828CX-HY	STM-120 Machine Torch, 7.5m (25 ft) Leads,
03833CX-HY	STM-120 Machine Torch, 15m (50 ft) Leads,
09890CX-HY	Lead Assembly, machine, 7.5m (25 ft) Length,
09895CX-HY	Lead Assembly, machine, 15m (50 ft) Length,

Type B Powermax® 600 központi csatlakozó nélkül

Catalog #	Description
03819CX-HY	ST-120 Hand Torch, 7.5m (25 ft) Leads,
03824CX-HY	ST-120 Hand Torch, 15m (50 ft) Leads,
09881CX-HY	Lead Assembly, hand, 7.5m (25 ft) Length,
09886CX-HY	Lead Assembly, hand, 15m (50 ft) Length,
03829CX-HY	STM-120 Machine Torch, 7.5m (25 ft) Leads,
03834CX-HY	STM-120 Machine Torch, 15m (50 ft) Leads,
09891CX-HY	Lead Assembly, machine, 7.5m (25 ft) Length,
09896CX-HY	Lead Assembly, machine, 15m (50 ft) Length,

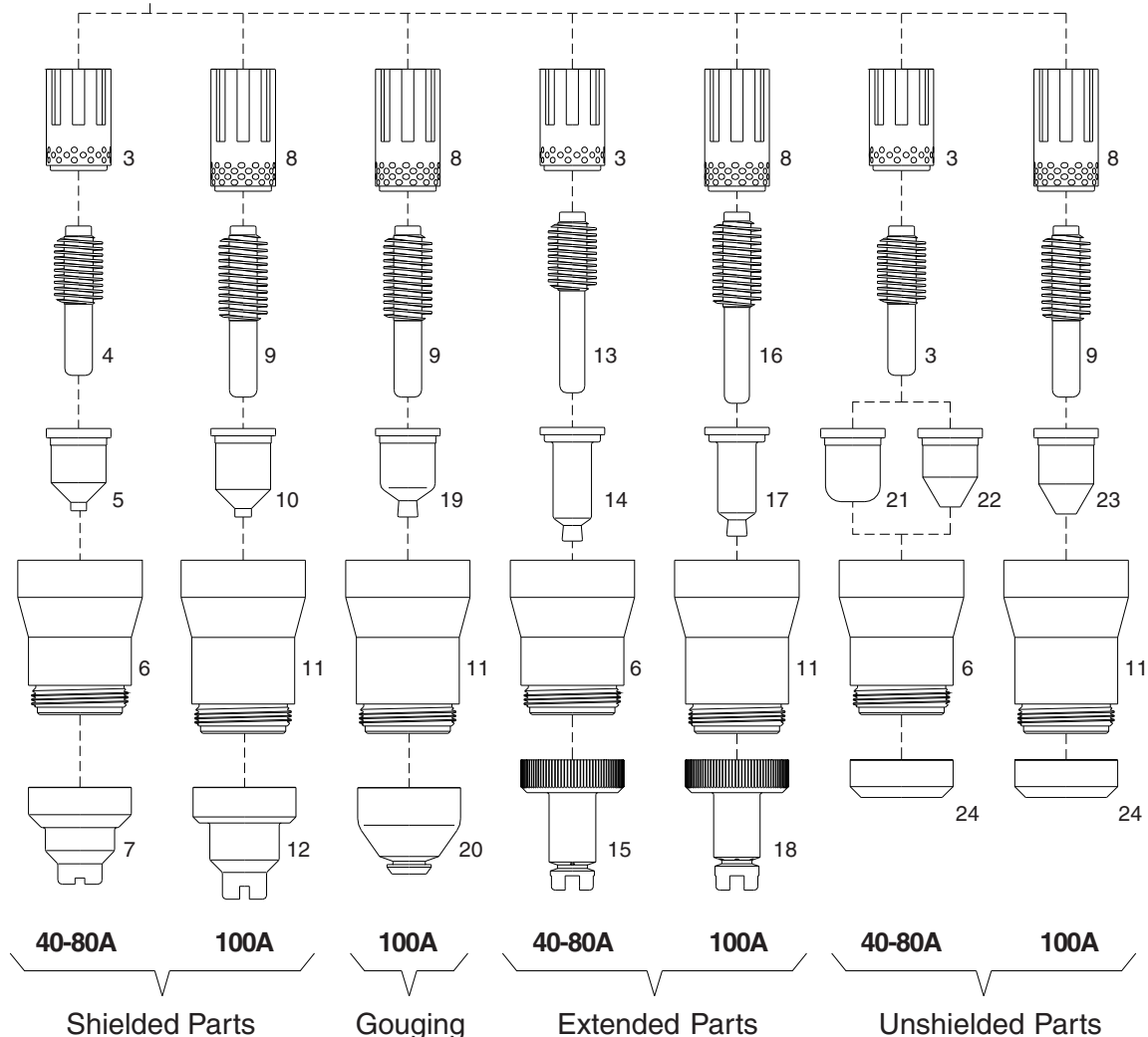
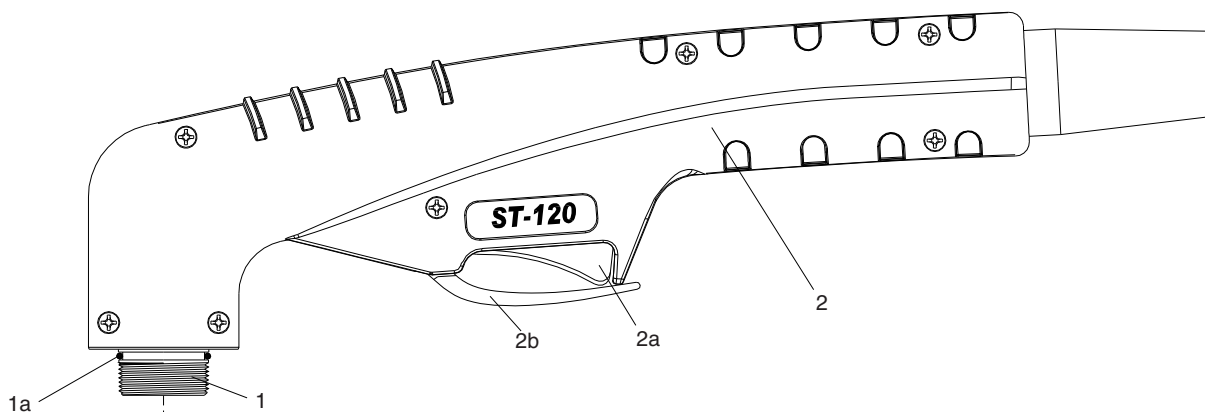
Type C Powermax® 1000 / 1250 / 1650

	Catalog #	Description
Powermax® 1000 - T60 1250 - T80	03820CX-HY	ST-120 Hand Torch, 7.5m (25 ft) Leads
	03825CX-HY	ST-120 Hand Torch, 15m (50 ft) Leads
	09781CX-HY	Lead Assembly, hand, 7.5m (25 ft) Length
	09786CX-HY	Lead Assembly, hand, 15m (50 ft) Length
	03830CX-HY	STM-120 Machine Torch, 7.5m (25 ft) Leads
	03835CX-HY	STM-120 Machine Torch, 15m (50 ft) Leads
	09791CX-HY	Lead Assembly, machine, 7.5m (25 ft) Length
	09796CX-HY	Lead Assembly, machine, 15m (50 ft) Length
Powermax® 1650 - T100	03821CX-HY	ST-120 Hand Torch, 7.5m (25 ft) Leads
	03826CX-HY	ST-120 Hand Torch, 15m (50 ft) Leads
	09780CX-HY	Lead Assembly, hand, 7.5m (25 ft) Length
	09785CX-HY	Lead Assembly, hand, 15m (50 ft) Length
	03831CX-HY	STM-120 Machine Torch, 7.5m (25 ft) Leads
	03836CX-HY	STM-120 Machine Torch, 15m (50 ft) Leads
	09790CX-HY	Lead Assembly, machine, 7.5m (25 ft) Length
	09795CX-HY	Lead Assembly, machine, 15m (50 ft) Length

ST-120HY



RPT pisztolyok HYPERTHERM® rendszerű, HF nélküli plazmavágó áramforrásokhoz



Replacement Parts **ST-120HY**

Torch parts

Item #	Ref #	Catalog #	Description
1		03800	ST-120 Hand Torch Head
1a		02800.60	O-Ring
2		09705	Handle with Switch
2a		07301.20	Switch
2b		09605.42	Safety Tab
<hr/>			
3	☆ ○ □ △	120925	60043 Swirl ring, 40-80A, <i>Maximum Life</i>
	☆ ○ □ △	120925	60043E Swirl ring, 40-80A
4	☆ ○ □ △	120926	52675 Electrode, 40-80A
5	☆ ○ □ △	120932	51405.10 Tip, 40A
	☆ ○ □ △	120931	51405.12 Tip, 60A
	□ △	120927	51405.14 Tip, 80A
6	☆ ○ □ △		60495 Retaining Cap, 40-80A
7	☆ ○ □ △	120929	51981/TD Shield Cap, Hand, 40-80A
<hr/>			
8	△	220051	60044 Swirl ring, 100A, <i>Maximum Life</i>
	△	220051	60044E Swirl ring, 100A
9	△	220037	52676 Electrode, 100A
10	△	220011	51406 Tip, 100A
11	△		60496 Retaining Cap, 100A
12	△	220065	51983/TD Shield Cap, Hand, 100A
<hr/>			
13	☆ ○ □ △		52675L Extended Electrode, 40-80A
14	☆ ○ □ △		51405L.10 Extended Tip, 40A
	☆ ○ □ △		51405L.12 Extended Tip, 60A
	□ △		51405L.14 Extended Tip, 80A
15	☆ ○ □ △		60505L Extended Shield Cap, Hand, 40-80A
16	△		52676L Extended Electrode, 100A
17	△		51406L.15 Extended Tip, 100A
18	△		51983L Extended Shield Cap, Hand, 100A
<hr/>			
19	○ □ △	51409.24	Tip, Gouging
20	○ □ △	51989G	Shield Cap, Gouging
<hr/>			
21	☆ ○ □ △	220006	51402 Tip, 40A, Unshielded
22	☆ ○ □ △	220007	51403 Tip, 60A, Unshielded
	□ △	120980	51404 Tip, 80A, Unshielded
23	△	220064	51408 Tip, 100A, Unshielded
24	☆ ○ □ △	120979	51939 Deflector
<hr/>			
Accessories			
Item#	Ref #	Catalog #	Description
N/S	☆ ○ □	51865	Circle Cutting Attachment

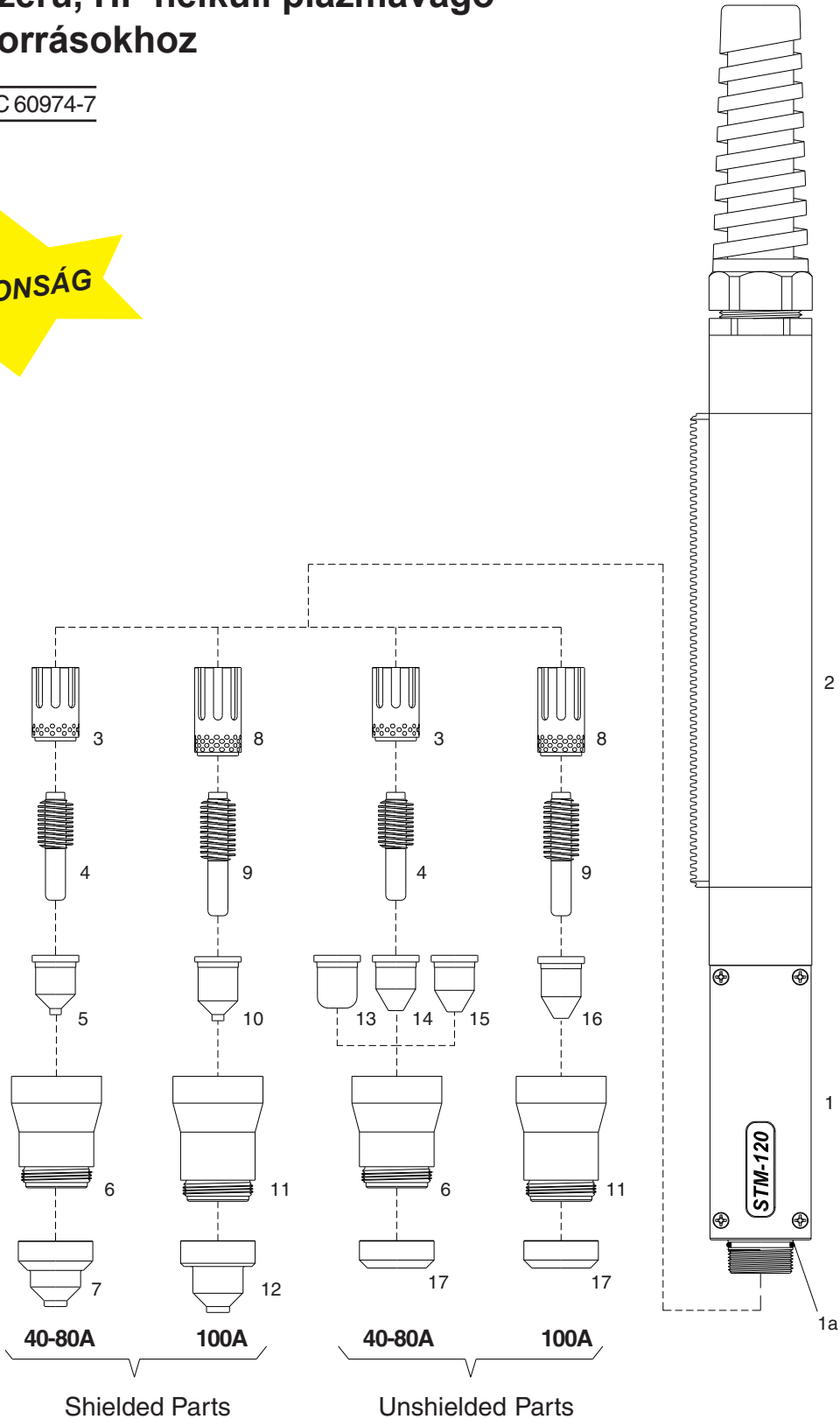
☆ PowerMax® 600/800/900, MAX 40CS®, MAX 42®, MAX 43®, MAX 43CS®
○ PowerMax® 1000
□ PowerMax® 1250
△ PowerMax® 1650

STM-120HY

RPT pisztolyok HYPERTHERM[®] rendszerű, HF nélküli plazmavágó áramforrásokhoz



ÚJDONSÁG



STM-120HY

Replacement Parts **STM-120HY**

Torch parts

Item #		Ref #	Catalog #	Description
1			03810	STM-120 Machine Torch Head
1a			02800.60	O-Ring
2			07216	Fiberglass Positioning Tube with Rack
<hr/>				
3	☆ ○ □ △	120925	60043	Swirl ring, 40-80A, <i>Maximum Life</i>
	☆ ○ □ △	120925	60043E	Swirl ring, 40-80A
4	☆ ○ □ △	120926	52675	Electrode, 40-80A
5	☆ ○ □ △	120932	51405.10	Tip, 40A
	☆ ○ □ △	120931	51405.12	Tip, 60A
	□ △	120927	51405.14	Tip, 80A
6	☆ ○ □ △		60495	Retaining Cap, 40-80A
7	☆ ○ □ △	120930	51982/TD	Shield Cap, Machine, 40-80A
<hr/>				
8	△	220051	60044	Swirl ring, 100A, <i>Maximum Life</i>
	△	220051	60044E	Swirl ring, 100A
9	△	220037	52676	Electrode, 100A
10	△	220011	51406	Tip, 100A
11	△		60496	Retaining Cap, 100A
12	△	220047	51984/TD	Shield Cap, Machine, 100A
<hr/>				
13	☆ ○ □ △	220006	51402	Tip, 40A, Unshielded
14	☆ ○ □ △	220007	51403	Tip, 60A, Unshielded
15	□ △	120980	51404	Tip, 80A, Unshielded
16	△	220064	51408	Tip, 100A, Unshielded
17	☆ ○ □ △	120979	51939	Deflector

☆ PowerMax® 600/800/900, MAX 40CS®, MAX 42®, MAX 43®, MAX 43CS®

○ PowerMax® 1000

□ PowerMax® 1250

△ PowerMax® 1650